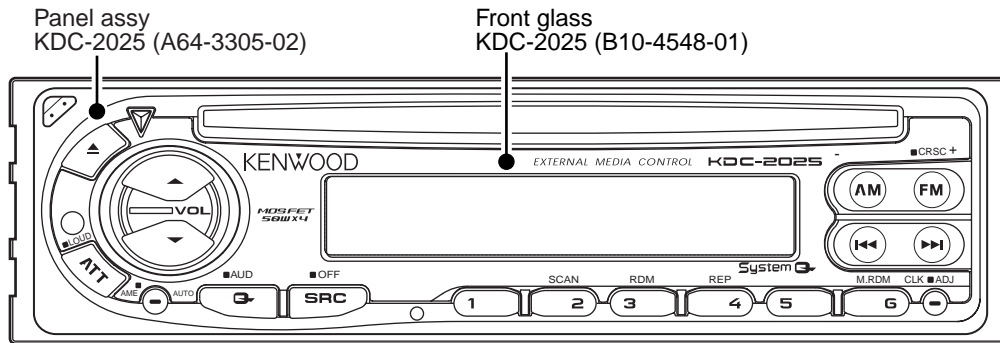
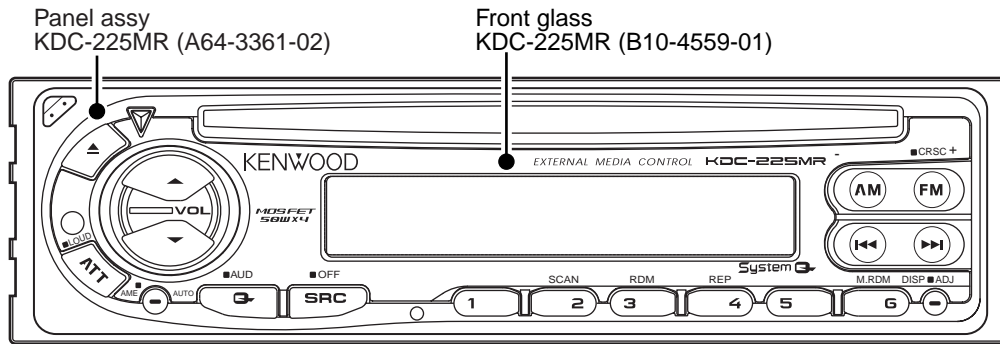
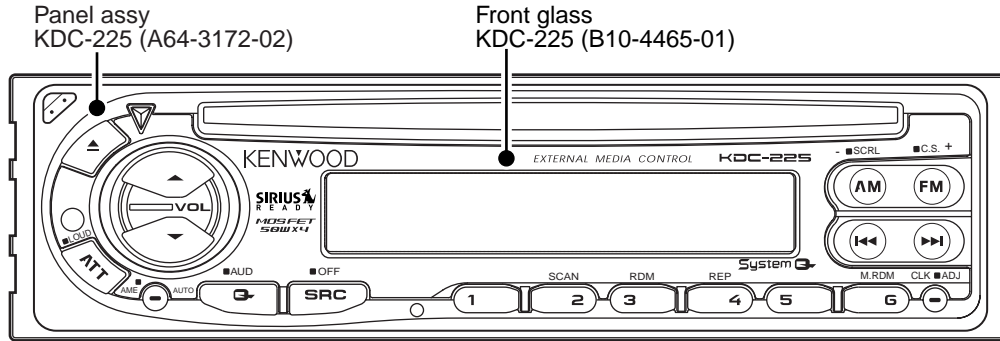


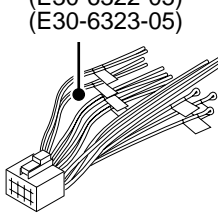
KDC-225/MR KDC-2025

SERVICE MANUAL

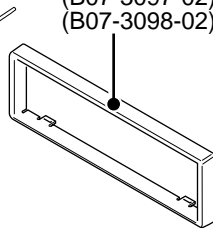
CD mechanism extension cord (24PIN) : W05-0934-00



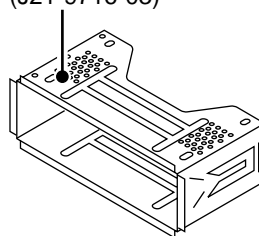
DC cord
(E30-6322-05)
(E30-6323-05)



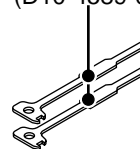
* Escutcheon
(B07-3097-02)
(B07-3098-02)



Mounting hardware assy
(J21-9716-03)



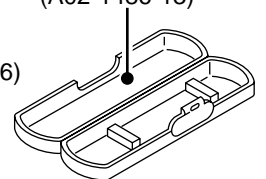
Lever
(D10-4589-04) x 2



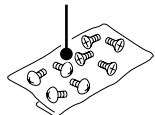
Screw
(N84-4016-46)



Plastic cabinet assy
(A02-1486-13)



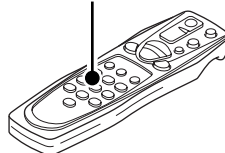
Screw set
(N99-1719-05)



* Not supplied



* Remote controller assy
(A70-2040-05) : RC-505



TDF PANEL INFORMATION

MODEL	PARTS NO.	PANEL NAME
KDC-225	Y33-1940-60	TDF-42D
KDC-225MR	Y33-1940-62	TDF-42DMR
KDC-2025	Y33-1940-61	TDF-42DB

* Depends on model. Refer to the parts list.



COMPONENTS DESCRIPTION

● SWITCH UNIT (X16-2640-11/12)

Ref. No.	Application / Function	Operation / Condition / Compatibility
IC1	LCD driver	Drive for LCD unit
IC2	Remote control IC	Receiving for the remote control unit
Q1	KEY scan detector	key scan start at base gose "L".

● ELECTRIC UNIT (X25-9980-11/12/21)

Ref. No.	Application / Function	Operation / Condition / Compatibility														
IC1	System microcomputer	Control for TUNER unit, CD mechanism, volume & tone, LCD driver and external CD changer unit														
IC2	Electronic volume & N.C.MPX	Control for source selector, volume & tone, and FM multiplex detector.														
IC3	Power supply IC	Power supply for the units (Bu5V, Audio8V, FM+B, AM+B, P-con and ANT-con)														
		<table border="1"> <thead> <tr> <th>SW1</th> <th>OUT</th> </tr> </thead> <tbody> <tr> <td>1.5~3.0V</td> <td>Audio ON</td> </tr> <tr> <td>3.5~5.0V</td> <td>Audio P-con ON</td> </tr> <tr> <td>7.0V~</td> <td>Audio P-con, P-ant ON</td> </tr> <tr> <th>SW2</th> <th>OUT</th> </tr> <tr> <td>2.0~3.0V</td> <td>Illumination, FM ON</td> </tr> <tr> <td>4.0V~</td> <td>Illumination, AM ON</td> </tr> </tbody> </table>	SW1	OUT	1.5~3.0V	Audio ON	3.5~5.0V	Audio P-con ON	7.0V~	Audio P-con, P-ant ON	SW2	OUT	2.0~3.0V	Illumination, FM ON	4.0V~	Illumination, AM ON
		SW1	OUT													
		1.5~3.0V	Audio ON													
		3.5~5.0V	Audio P-con ON													
		7.0V~	Audio P-con, P-ant ON													
		SW2	OUT													
2.0~3.0V	Illumination, FM ON															
4.0V~	Illumination, AM ON															
IC4	Audio power amp IC	Amplifier for audio signal to derive for 4channel speakers (50W maximum for each channel)														
IC6	Muting control IC	Control for timing for mute														
IC8	Reset IC	When detection voltage goes below 3.5V or less Reset IC output change to "L" signal														
Q1	Serge detection	When backup voltage become more than 24V output is "L" (momentary power down) / When backup voltage become less than 24V output is "H"														
Q2	Backup detection	When BU voltage supplied output is "L" / When BU voltage not supplied or momentary power down is detected output is "H"														
Q3	ACC detection	When ACC voltage supplied output is "L"														
Q4	SW 5V	When base voltage is "L" Q4 is ON														
Q21,24	AVR	Servo regulator														
Q22	SW	Servo SW														
Q151	DSI driver	When base voltage level is "L" DSI LED is light up / When base voltage level is "H" DSI LED turns off / When panel assy is pull off, cut off the supply to panel 5V AVR.														
Q201	Buffer amp	Noise buffer amp														
Q252	For surge measure of audio power IC	When base voltage to "L", for control to power IC function (STAND BY)														
Q350	Pre & NF mute SW	When base voltage to "L", drive to pre & NF mute SW (Q351)														
Q351	Pre mute SW	When base voltage to "H", muting to the pre Lch or NF Lch line														
Q352	Pre mute SW	When base voltage to "H", muting to the pre Rch or NF Rch line														
Q401	DSI illumination SW	When base voltage to "H", DSI illumination is light up.														

COMPONENTS DESCRIPTION

● CD PLAYER UNIT (X32-5400-00)

Ref. No.	Application / Function	Operation / Condition / Compatibility
IC1	RF amplifier adapted for CD-RW	Generation of RF signal based on the signals from the APC circuit and pickup, and generation of servo error (focusing error and tracking error) signals. Detection of dropout, anti-shock, track crossing and off-track conditions, included gain control function during CD-RW.
IC2	CD signal processor built-in MI-COM	Focusing, tracking, sled and spindle servo processing. Automatic adjustment (focusing, tracking, gain, offset and balance) operations. Digital signal processing (DSP, PLL, sub-codes, CIRC error correction, audio data Interpolation) operations, and Microcomputer function.
IC3	4CH BTL driver	Focusing coil, tracking coil, spindle motor and sled motor driver, disc loading and eject operation.
IC4	Low pass filter	2nd low pass filter for audio signals
Q1	APC	LD power control
Q2	D.5V SW	When P ON signal goes "L", Q2 is ON
Q3	Q4 SW	When P ON signal goes "L" (SW+5V AVR is ON), Q3 is ON
Q4	A.8V SW	When P ON signal goes "L" (Q3 is ON), Q4 is ON
Q5	Current driver	Current driver
Q6	Current driver	Current driver
D1	Protection diode	Laser diode protection
D2	Zener diode	DAC AVR/LPF reference voltage (A.5V)
D3	Current driver	Current driver

MICROCOMPUTER'S TERMINAL DESCRIPTION

● SYSTEM MICROPROCESSOR : 784225GC233A (X25 : IC1)

Pin No.	Pin Name	I/O	Description / Processing Operation
1	TUN SMETER	I	S meter detection input terminal
2	RDS NOISE	I	FM noise detection input terminal
3	LINE MUTE	I	Phone Muting signal input terminal (More than 2.5V : NAVI mute, Less than 1.0V : TEL mute)
4	AVSS	-	GND
5	L RST	O	Reset signal output (for LCD driver) H : Light on display, key scan, L : Light out on display, key reset
6	L CE	O	CE output for LCD driver IC
7	AVREF1	-	BU5.0V
8	L DATAL	I	DATA input terminal from LCD derive IC
9	L DATAS	O	DATA output terminal to LCD driver IC
10	L CLK	O	CLK output terminal to LCD driver IC
11	TDF DET	I	Panel assy detect terminal H : Panel assy come off
12	AUX ON	O	Select for AUX input signal H : AUX, L : Other
13	RDS QUAL	I	RDS decoder QUAL signal input terminal
14	RDS DATA	I	RDS decoder Data signal input terminal
15	PWIC BEEP	O	Beep audio signal output terminal
16	LX DATA S	I	DATA signal input from EXT. unit
17	LX DATA M	O	DATA signal output to EXT. unit
18	LX CLK	I/O	CLK signal input/output to EXT. unit
19	TUN SCL	O	I2C CLK signal output terminal (for front-end)
20	TUN SDA	I/O	I2C DATA signal input/output terminal (for front-end)
21	TUN IFC OUT	I	IFC signal input terminal H : Station detect, L : No detect
22	RDS AFS	O	Time constant select terminal (for noise detect) H : Receiving, L : FM seek, AF search
23	CD SDA	I/O	I2C DATA output terminal (for CD mechanism, electric VR)
24	AUD SDA	O	CLK output terminal (for CD mechanism, electric VR)
25	NC	-	NC
26	LX RST	O	Reset signal output to EXT. unit
27	LX CON	O	Control signal output to EXT. unit H : ON L : OFF
28	LX MUTE	I	Request signal input terminal from EXT. unit L : Mute ON
29	LX REQ M	O	DATA signal output to EXT. unit
30	PWIC SVR	O	SVR control for Audio power IC
31	PWIC STBY	O	STBY control for Audio power IC H : Power IC ON
32	PWIC MUTE	O	Muting control for Audio power IC
33	VSS1	-	GND
34	ACC DET	I	ACC detection input terminal L : ACC detect
35	RESET2	O	Reset output terminal L : Active
36	MUTE	O	Muting signal output terminal
37	BU DET	I	BU detect input terminal L : BU detect
38	PARK SW	I	Packing condition detect terminal H : OFF, L : ON (PARKING)
39	PS2 1	O	Power supply IC control terminal

MICROCOMPUTER'S TERMINAL DESCRIPTION

Pin No.	Pin Name	I/O	Description / Processing Operation
40	PS2 0	O	Power supply IC control terminal
41	PS1 0	O	Power supply IC control terminal
42	PS1 1	O	Power supply IC control terminal
43	PS1 2	O	Power supply IC control terminal
44	PON 5	O	SW5V/SW14V control output terminal Hi-Z : OFF, L : ON
45	NC	-	NC
46	PON CD	O	MP3 power supply control terminal
47	CD DISC12 SW	I	12cm CD disc eject SW detection input terminal L : 12cm disc
48	CD MUTE R	I	Request for muting signal from CD mechanism L : Mute request
49	NC	-	NC
50	CE MRST	O	Reset signal output to CD mechanism L : Active
51	CD DISC8 SW	I	8cm CD disc eject SW detection input terminal (Not used)
52	CD LOS SW	I	Loading start SW detection input terminal L : Loading start
53	CD MUTE L	I	Request for muting signal from CD mechanism L : Mute request
54	NC	-	NC
55	CD MSTOP	O	Request signal (Mechanism is STOP) output to CD mechanism L : Active
56	CD LOE LIM SW	I	Down SW detection from CD mechanism
57	CD LOEJ	I/O	CD mechanism loading / eject control terminal H : Eject, L : Loading
58	CD MOTOR	O	CD mechanism motor loading control terminal H : Loading, Eject, Brake, L : Play
59	DSI	O	Disc guide illumination control terminal H : DSI ON
60	RESET	I	Reset input terminal L : Active
61	NC	-	NC
62	KEY REQ	I	Request for communication to slave unit L : Key input mode
63	RDS CLK	I	RDS decoder CLK input terminal
64	LX REQ S	I	DATA signal input from EXT. unit
65	REMO	I	Remote control signal input terminal
66	NC	-	NC
67	VSS0	-	GND
68	VDD1	-	BU5.0V
69	X2	-	Main clock input terminal (10MHz)
70	X1	-	Main clock input terminal (10MHz)
71	TEST	-	GND
72	XT2	-	Sub clock input terminal (32.768kHz)
73	XT1	-	Sub clock input terminal (32.768kHz)
74	VDD0	-	BU5.0V
75	AVDD	-	BU5.0V
76~78	TYPE0~2	I	Destination input terminal DXM6540 (SEL0 : Lo, SEL1 : Lo)
79,80	TUN TYPE0,1	I	Electric volume condition setting terminal

TEST MODE

1. How to enter test mode

While holding the FM key and PRESET 6 keys, reset the unit.

All display segments light up when the test mode is entered.

2. How to exit from test mode

Reset the unit.

Turning ACC off, power off, momentary power down or panel detaching does not terminate the test mode.

3. Initial status in the test mode

- Sources : ALL OFF (STAND BY)
- Display : All segments were lit.
- Volume : -10dB (displayed as "30")
- Loudness : OFF
- CRSC : OFF regardless of the presence of switching function.
- Aux : ON

4. TUNER function

• Forced switching of K3I

Each press of the Preset 6 key in Tuner mode should switch K3I from AUTO→Forced Wide→Forced Middle→Forced Narrow→AUTO. The initial status is AUTO and the display shows these modes as follows.

- AUTO : A
- Forced Wide : M
- Forced Middle : M
- Forced Narrow : N

• RDS check

PCON is power off when RDS data ("RDS test") received for TUNER mode.

5. CD function

• Test mode specifications of the CD receiver

- Each press of the Track Up key jumps to the following track numbers :
No. 9→No. 15→No. 10→No. 11→No. 12→No. 13→No. 22→No. 14→No. 9 (The cycle restarts from here.)
- Each press of the Track Down key jumps to the previous track number to the track being played.
- When the number of total tracks of disc is nine or less, unit playback from a track 1.
- When the media to CD-DA, unit playback from track No. 28 by key operation of preset 1 key.

6. AUDIO function

• Audio-related specifications

- A short press of the Q key initiates the audio adjustment mode.
- Pressing the OPEN/CLOSE key on the remote controller initiates the audio adjustment mode.
- Continuous holding of a remote control key is inhibited.
- Bass, Middle and Treble are adjusted in 3 steps of -8 / 0 / +8 with the Track Up/down keys (default is 0).
- Balance is adjusted in 3 steps of Left L15 / 0 / R15 Max with the Track Up/down keys (default is 0).
- Loudness : OFF

7. MENU function

• Menu-related specifications

- A short press of the PLAY/PAUSE key initiates the Menu mode.
- Pressing the DNPP key on the remote initiates the Menu mode.
- Continuous holding of a remote control key is inhibited.

8. OTHER

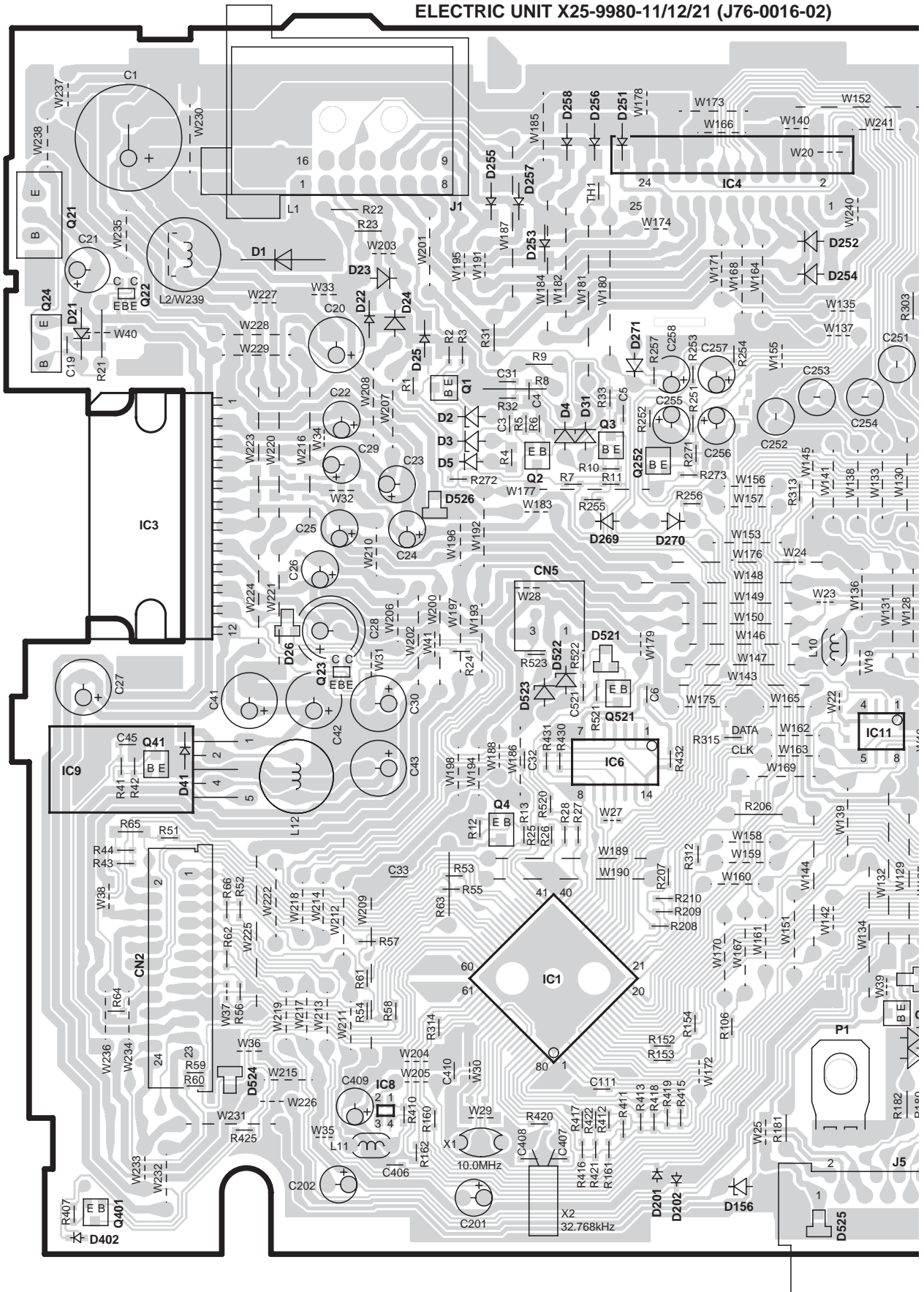
• Special display when the display is all on

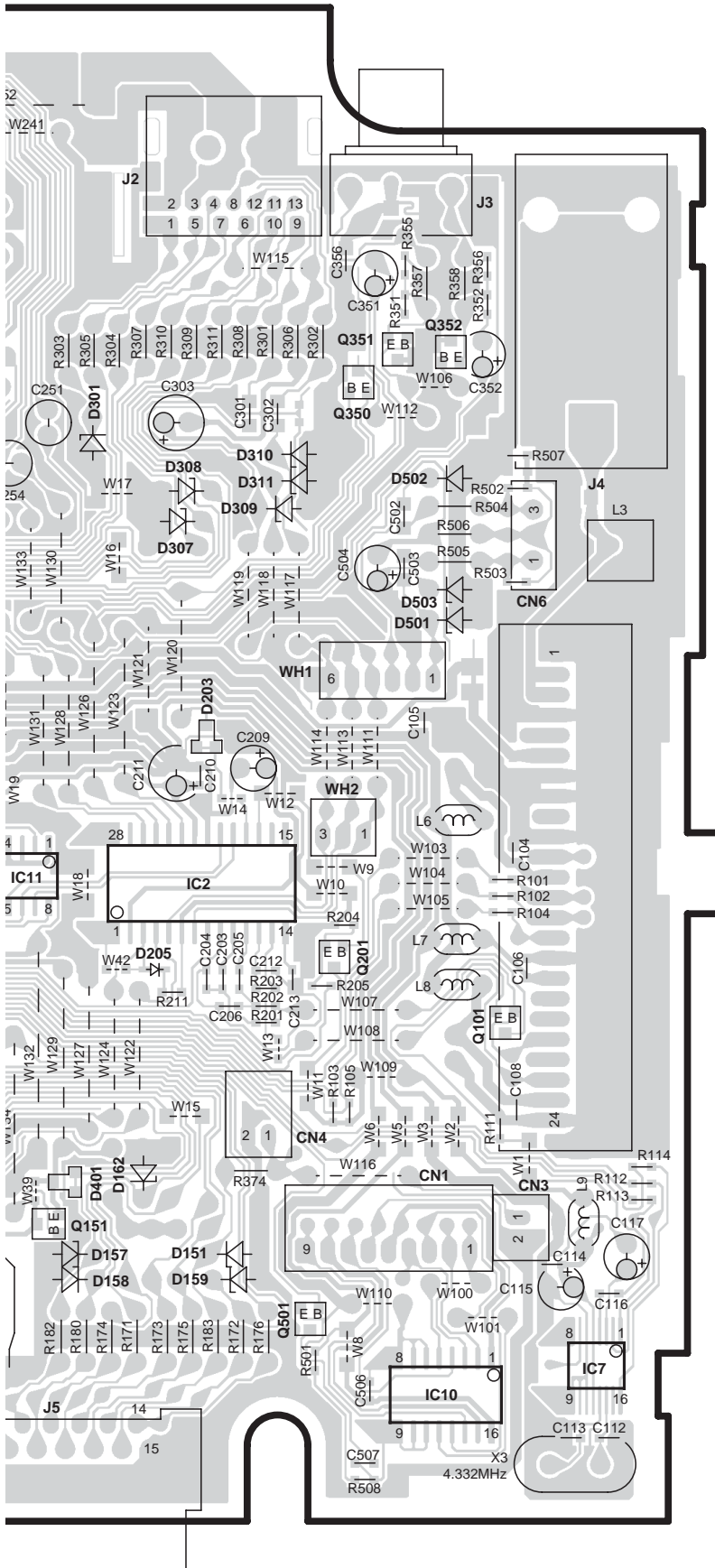
Pressing the Preset keys while the power is ALL OFF displays the following information.

[PRESET 1]	Version display (Month/Day/Hour/Minute)
[PRESET 2]	ALL segment light up for FL display
[PRESET 3]	Short press : Display CD operation time. Long press/hold : Clear CD operation time
[PRESET 5]	Short press : Display CD ejection count. Long press/hold : Clear CD ejection count.
[FM]	ROM correction version. If not mounting ROM correction chip set display shows ROM No____

PC BOARD (FOIL SIDE VIEW)

ELECTRIC UNIT X25-9980-11/12/21 (J76-0016-02)





X25-9980-11/12/21

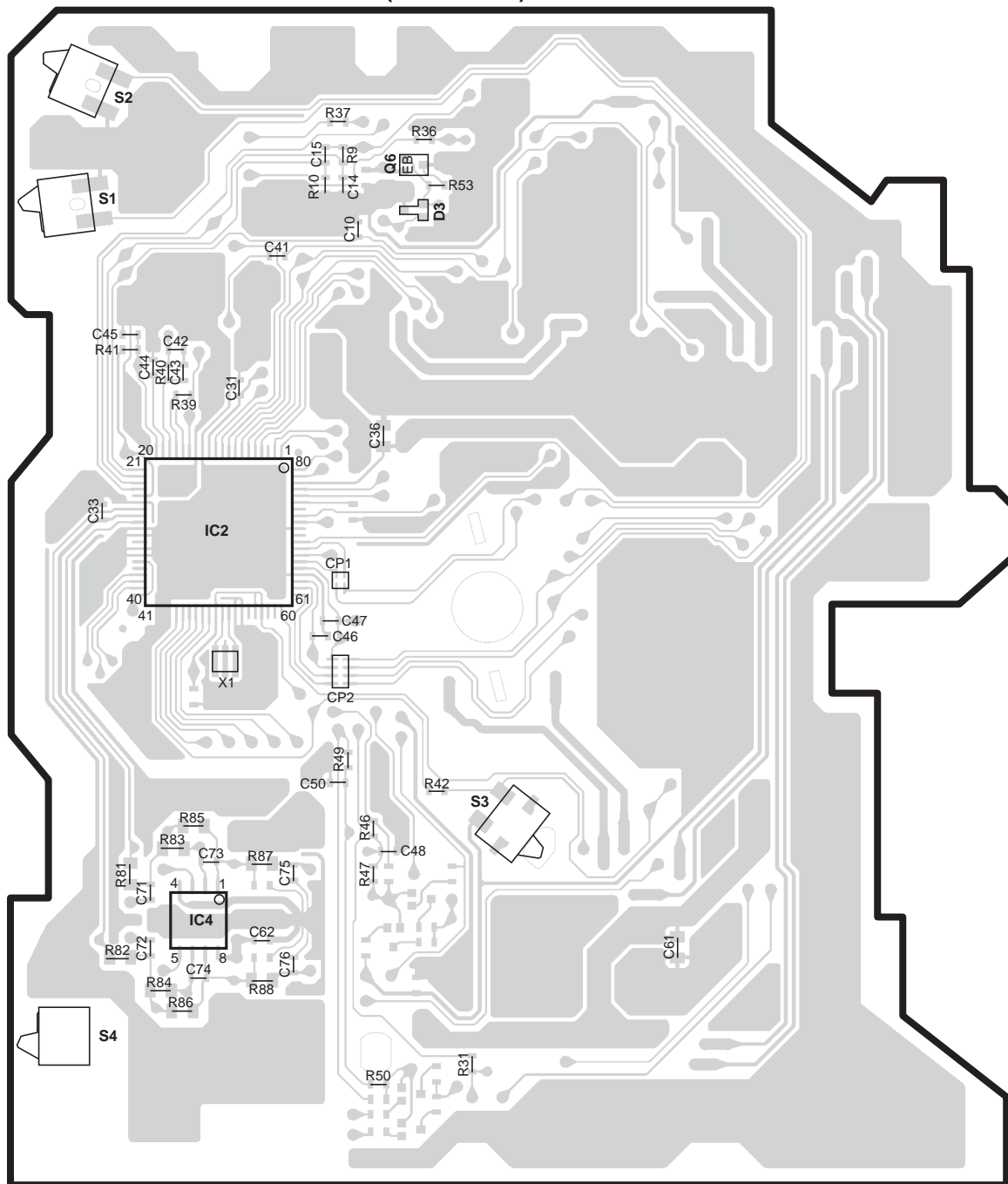
Ref. No.	Address
IC1	6D
IC2	5F
IC3	4B
IC4	2E
IC6	5D
IC8	6C
Q1	3C
Q2	3D
Q3	3D
Q4	5D
Q21	2B
Q22	3B
Q24	3A
Q151	6F
Q201	5G
Q252	3D
Q350	3G
Q351	3G
Q352	3G
Q401	7B

Refer to the schematic diagram for the values of resistors and capacitors.

KDC-225/225MR/2025

PC BOARD (COMPONENT SIDE VIEW)

CD PLAYER UNIT X32-5400-00 (J74-1486-12)



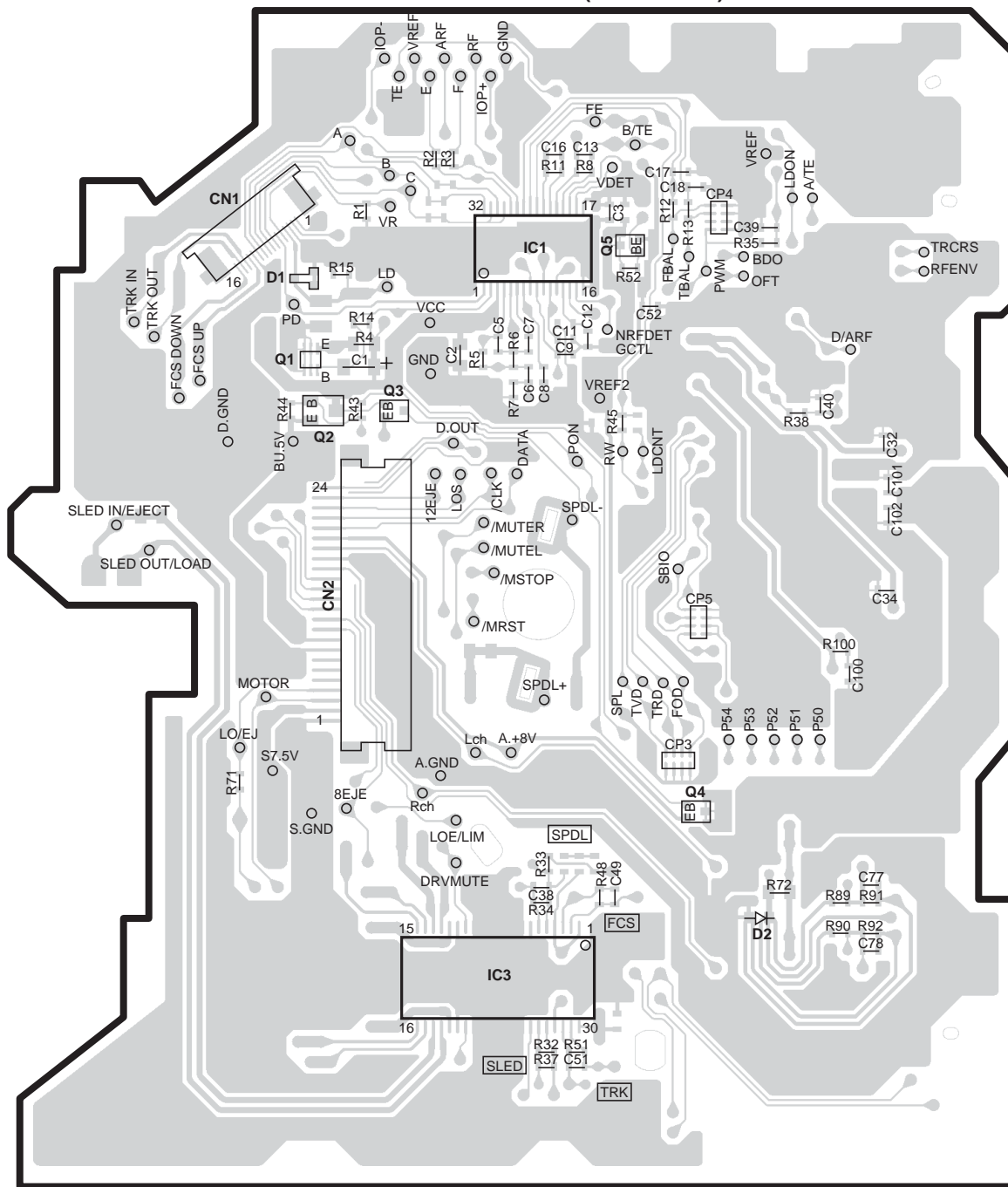
X32-5400-00

Ref. No.	Address
IC2	3L
IC4	5L
Q6	2M

Refer to the schematic diagram for the values of resistors and capacitors.

PC BOARD (FOIL SIDE VIEW)

CD PLAYER UNIT X32-5400-00 (J74-1486-12)



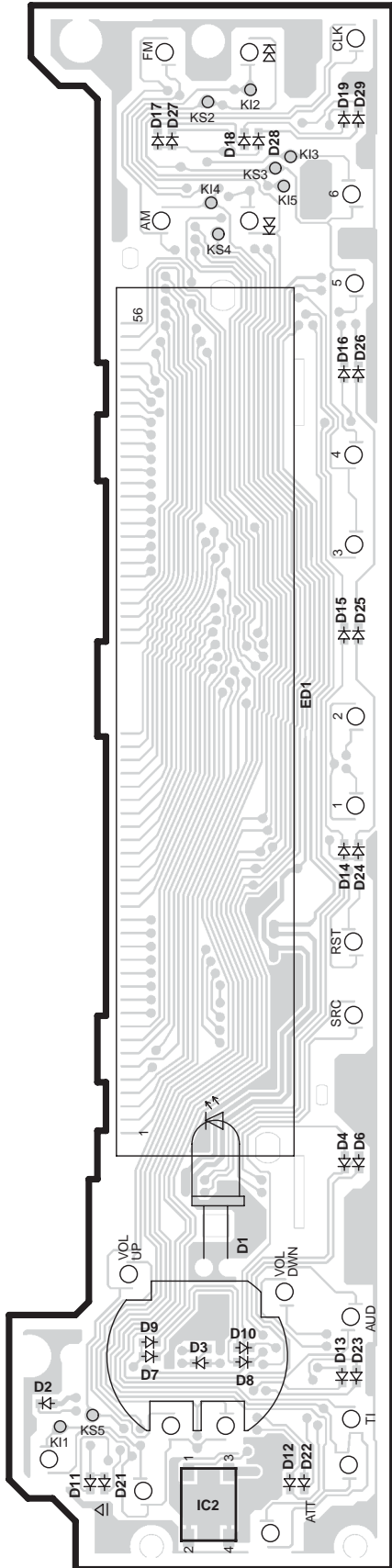
X32-5400-00

Ref. No.	Address	Ref. No.	Address
IC1	2R	Q3	3Q
IC3	5R	Q4	4S
Q1	3Q	Q5	2R
Q2	3Q		

Refer to the schematic diagram for the values of resistors and capacitors.

PC BOARD (COMPONENT SIDE VIEW)

SWITCH UNIT
X16-2640-11/12 (J74-1561-02)



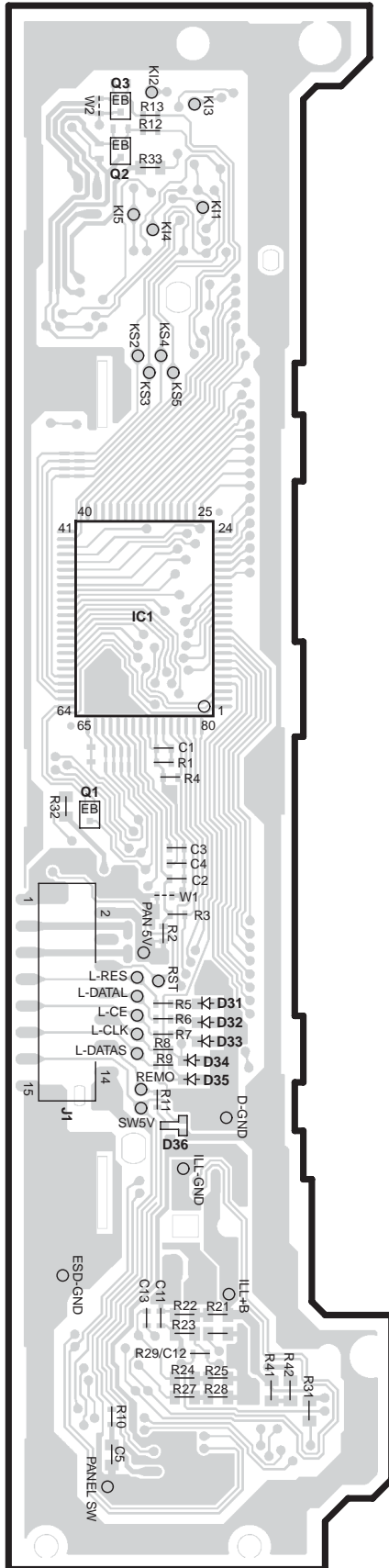
X16-2640-11/12

Ref. No.	Address
IC2	7V

Refer to the schematic diagram for the values of resistors and capacitors.

(FOIL SIDE VIEW)

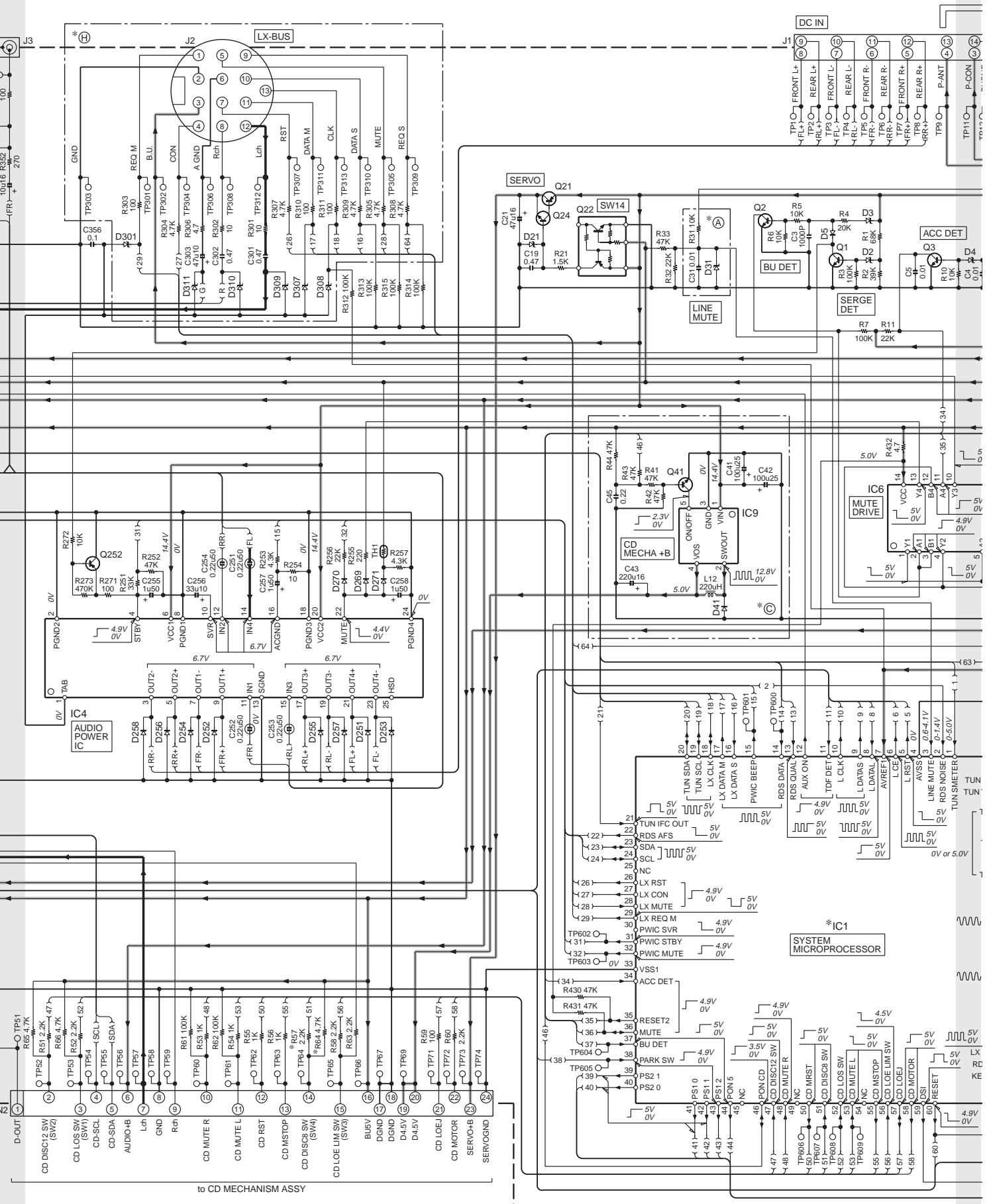
SWITCH UNIT
X16-2640-11/12 (J74-1561-02)



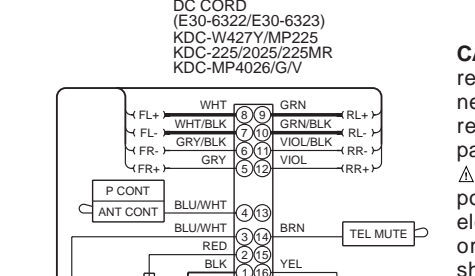
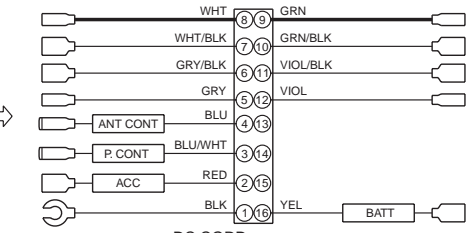
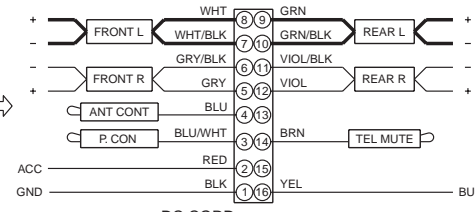
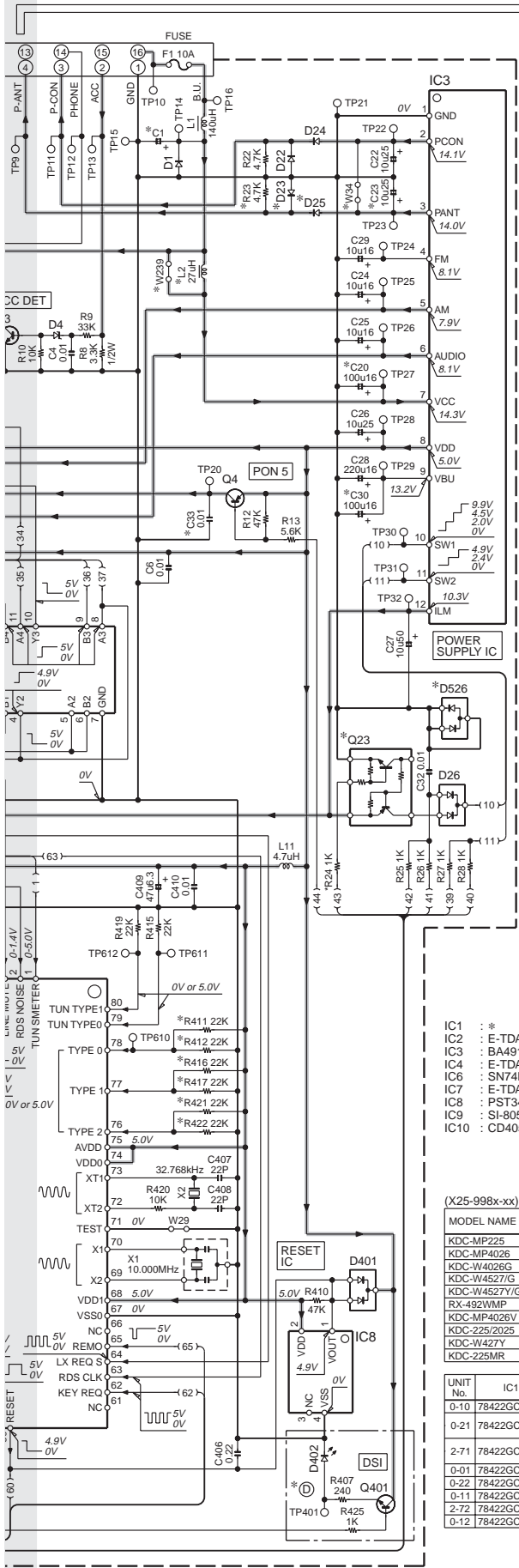
X16-2640-11/12

Ref. No.	Address
IC1	4X
Q1	4X

KDC-225/225MR/2025



KDC-225/225MR/2025



CAUTION : For continued safety, replace safety critical components only with manufacturer's recommended parts (refer to parts list).
 ⚠ Indicates safety critical components. To reduce the risk of electric shock, leakage-current or resistance measurements shall be carried out (exposed parts are acceptably insulated from the supply circuit) before the appliance is returned to the customer.

• DC voltages are as measured with a high impedance voltmeter. Values may vary slightly due to variations between individual instruments or/and units.

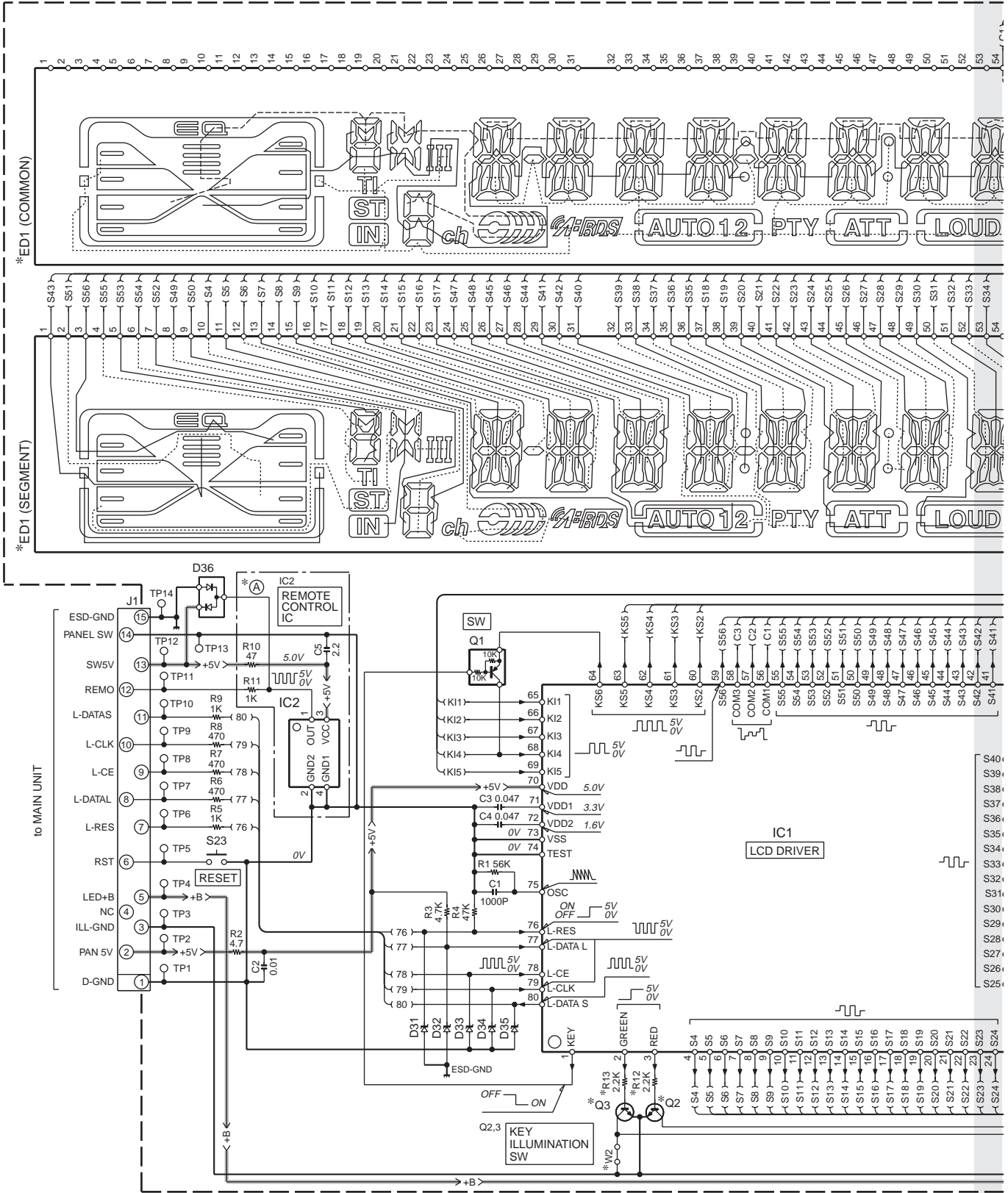
- IC1 : *
- IC2 : E-TDA7407D
- IC3 : BA4911-V4
- IC4 : E-TDA7560
- IC6 : SN74HC02NSR
- IC7 : E-TDA7479AD
- IC8 : PST3436UL-E
- IC9 : SI-8050JF3NF
- IC10 : CD4053BNSR
- Q1-3,41,401
- Q4 : 2SA1036K
- Q21 : 2SB1565(E,F)
- Q22,23 : UMC2N
- Q24 : 2SD1858
- Q101,201,351,352
- Q151 : DTA114YUA
- Q252 : 2SA1576A
- Q350 : DTA124EUA
- Q501 : DTC144EUA
- Q521 : DTA144EUA
- D1 : S2V60#A
- D2-4,309,310,501,502
- D5,269-271 : 1SS133
- D21 : MAZ4082N-L
- D22,25,251,253,255-258
- D23,24,252,254
- D26,203,401,521
- DAN202U
- D31 : MAZ4047-M
- D41 : SFPB-54VNF
- D151,157-159,162,301,307,308,311,503,522,523
- MAZ4062-L
- MAZ4120-L
- EDZ6,2B
- 1SS400
- B30-1567-05
- DA204U
- D524-526 : DA204U

(X25-998x-xx)

MODEL NAME	UNIT No.	(A)	(B)	(C)	(D)	(E)	(F)	(G)	(H)	A1	C1	C20	C23	C30	C33	CN3	CN4	D23,25	D151,159	D156,158	D201,202	D205,524-526		
KDC-MP225	0-10	NO	NO	YES	YES	NO	YES	YES	YES	X86-3760-11	2200u16	NO	NO	100u16	NO	NO	NO	NO	NO	NO	NO	NO	NO	
KDC-MP4026	0-21	YES	YES	YES	YES	NO	YES	YES	YES	X86-3760-11	2200u16	NO	YES	100u16	NO	NO	NO	NO	NO	YES	YES	YES	NO	NO
KDC-W4527/G	2-71	YES	YES	YES	YES	NO	YES	YES	YES	X86-3762-70	2200u16	NO	NO	100u16	NO	NO	NO	NO	YES	YES	YES	YES	NO	NO
KDC-W4527Y/GY	2-71	YES	YES	YES	YES	NO	YES	YES	YES	X86-3762-70	2200u16	NO	NO	100u16	NO	NO	NO	NO	YES	YES	YES	YES	NO	NO
RX-492WMP	0-01	NO	NO	YES	NO	NO	YES	YES	YES	X86-3760-01	2200u16	NO	YES	100u16	YES	NO	NO	NO	NO	NO	NO	NO	NO	NO
KDC-MP4026V	0-22	YES	NO	YES	YES	YES	YES	YES	YES	X86-3760-11	2200u16	NO	NO	100u16	NO	NO	NO	NO	NO	YES	YES	YES	YES	NO
KDC-225/2025	0-11	NO	NO	NO	YES	NO	YES	YES	YES	X86-3760-11	3300u16	YES	NO	220u16	NO	NO	NO	NO	NO	NO	NO	YES	YES	NO
KDC-W427Y	2-72	YES	NO	YES	YES	NO	NO	NO	NO	X86-3762-70	2200u16	NO	NO	100u16	NO	NO	NO	NO	NO	NO	NO	YES	NO	NO
KDC-225MR	0-12	NO	NO	NO	YES	NO	NO	NO	NO	X86-3760-11	3300u16	YES	NO	220u16	NO	YES	NO	NO	NO	NO	NO	YES	YES	NO

UNIT No.	IC1	J5	L2	Q23	O151	R23	R24,411	R57,64	R172,183	R206	R211	R374	R412	R416	R417	R421	R422	W34	W39	W111,113,114	W239	
0-10	78422GC231A	E58-0992	NO	NO	YES	NO	NO	NO	NO	YES	NO	NO	YES	YES	NO	YES	NO	YES	NO	NO	YES	YES
0-21	78422GC231A	E58-0992	NO	YES	YES	YES	YES	NO	NO	YES	NO	NO	YES	NO	NO	YES	NO	YES	NO	NO	YES	YES
2-71	78422GC231A	E58-0992	NO	NO	YES	YES	NO	NO	YES	YES	NO	YES	YES	YES	YES	NO	YES	YES	NO	YES	YES	YES
0-01	78422GC231A	E58-0993	NO	YES	NO	YES	YES	YES	YES	NO	NO	NO	NO	NO	NO	NO	NO	NO	NO	YES	YES	YES
0-22	78422GC232A	E58-0992	NO	YES	YES	YES	YES	YES	YES	NO	NO	NO	NO	NO	NO	NO	NO	NO	NO	NO	NO	NO
0-11	78422GC233A	E58-0992	YES	NO	YES	NO	NO	NO	NO	YES	NO	NO	NO	NO	NO	NO	NO	NO	NO	NO	NO	NO
2-72	78422GC231A	E58-0992	NO	NO	YES	YES	NO	NO	NO	NO	NO	NO	NO	YES	YES	NO	NO	NO	NO	NO	NO	NO
0-12	78422GC233A	E58-0992	YES	NO	YES	NO	NO	NO	NO	YES	NO	NO	YES	YES	NO	YES	NO	NO	NO	NO	NO	NO

SWITCH UNIT (X16-264x-xx)

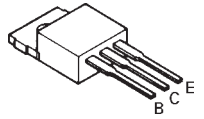


CAUTION : For continued safety, replace safety critical components only with manufacturer's recommended parts (refer to parts list).
 ⚠ Indicates safety critical components. To reduce the risk of electric shock, leakage-current or resistance measurements shall be carried out (exposed parts are acceptably insulated from the supply circuit) before the appliance is returned to the customer.

- DC voltages are as measured with a high impedance voltmeter. Values may vary slightly due to variations between individual instruments or/and units.

KDC-225/225MR/2025

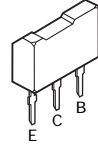
2SB1565



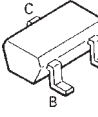
DTA114EE
DTC143TUA
2SA1036K
2SA1362
2SA1576A



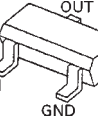
2SD1858



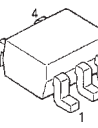
2SC4081



DTA124EUA
DTC124EUA



UMC2N



DAN202U



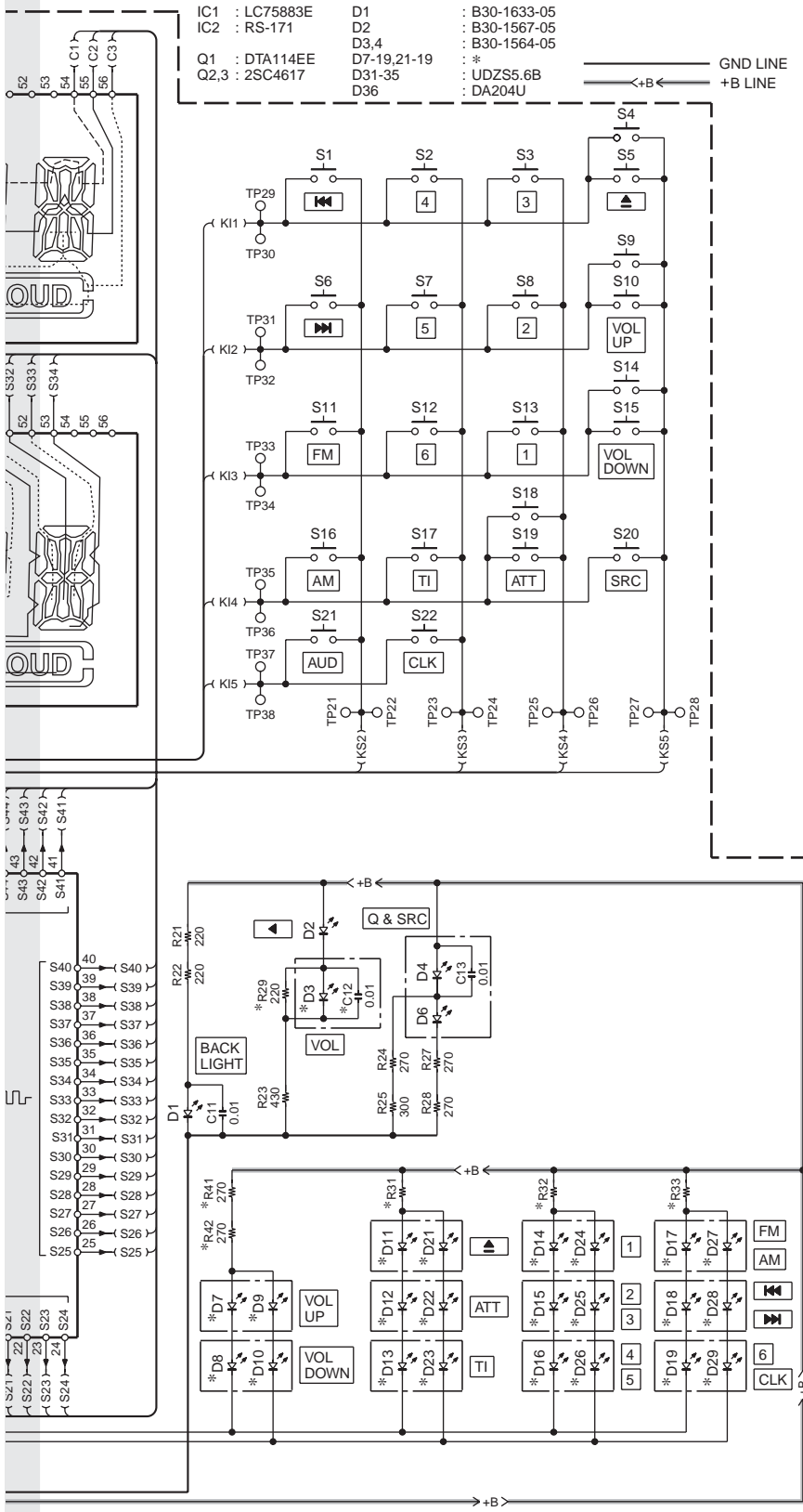
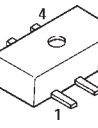
DA204U
DTA114YUA



MA142WK
UN5212



MCH6101787



MODEL NAME	UNIT No.	(A)	C12	D1	D3	D7,8	D8,10	D11-19	D21-29	ED1	Q2,3	R12, R29, R31, R33	W2
RX-49Z/WMP	0-01	YES	YES	B30-1633-05	B30-1564-05	NO	NO	NO	B30-1575-05	B38-1136-05	NO	NO	330
KDC-225/MP225	0-11	YES	YES	B30-1633-05	B30-1564-05	NO	NO	NO	B30-1566-05	B38-1145-05	NO	NO	390
KDC-2025/225MR	0-12	YES	YES	B30-1641-05	B30-1564-05	NO	NO	NO	B30-1566-05	B38-1137-05	NO	NO	390
KDC-MP4026/G/V	0-21	YES	YES	B30-1633-05	B30-1564-05	NO	NO	NO	B30-1565-05	B38-1136-05	NO	NO	330
KDC-W4527	2-70	YES	NO	B30-1633-05	NO	B30-1566-05	B30-1566-05	B30-1566-05	B30-1565-05	B38-1145-05	YES	YES	330
KDC-W4527G	2-71	YES	NO	B30-1633-05	NO	B30-1566-05	B30-1566-05	B30-1566-05	B30-1565-05	B38-1144-05	YES	YES	330
KDC-W4527	2-72	NO	NO	B30-1633-05	NO	B30-1566-05	B30-1566-05	B30-1566-05	B30-1565-05	B38-1136-05	YES	YES	330

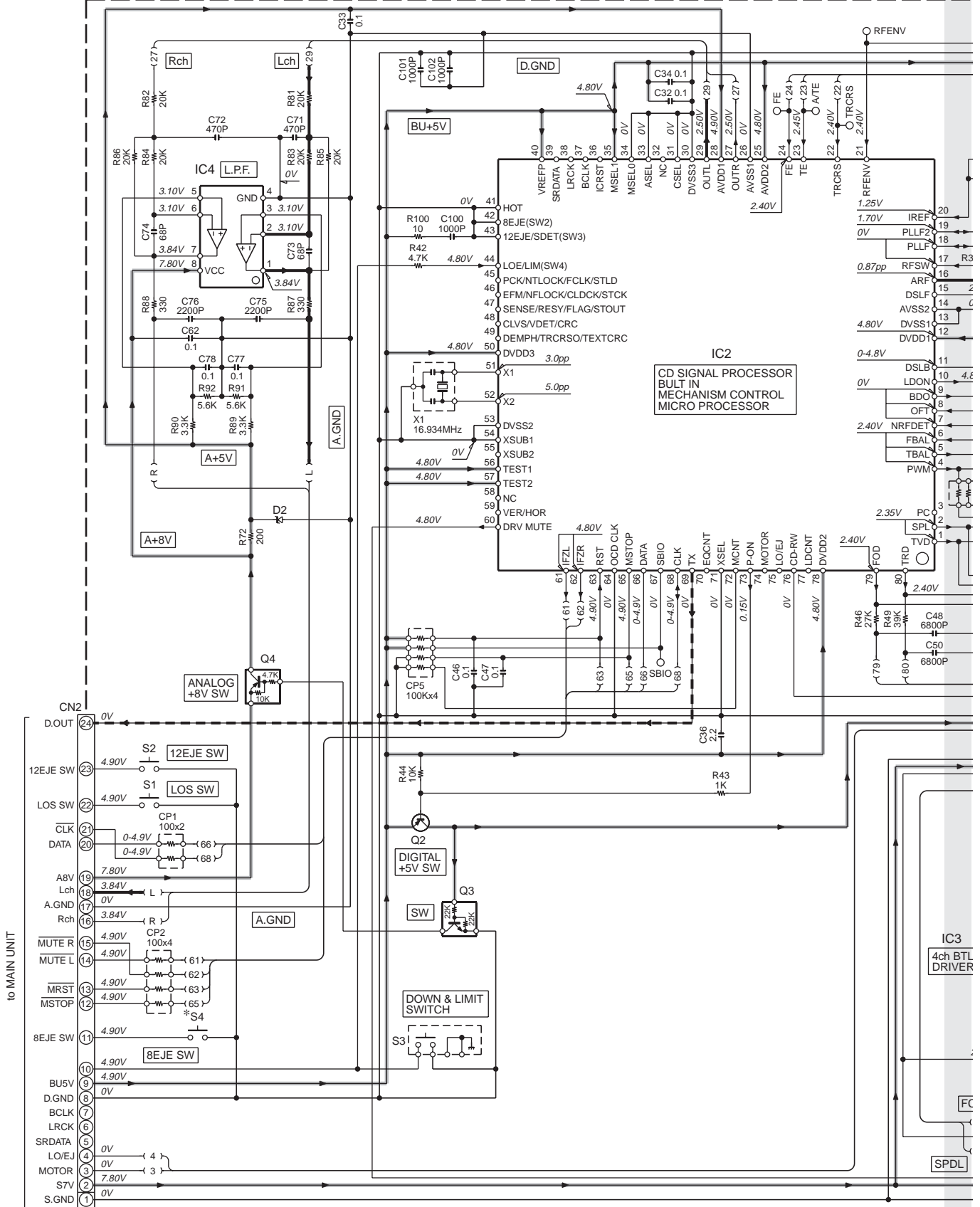
(X16-265x-xx)

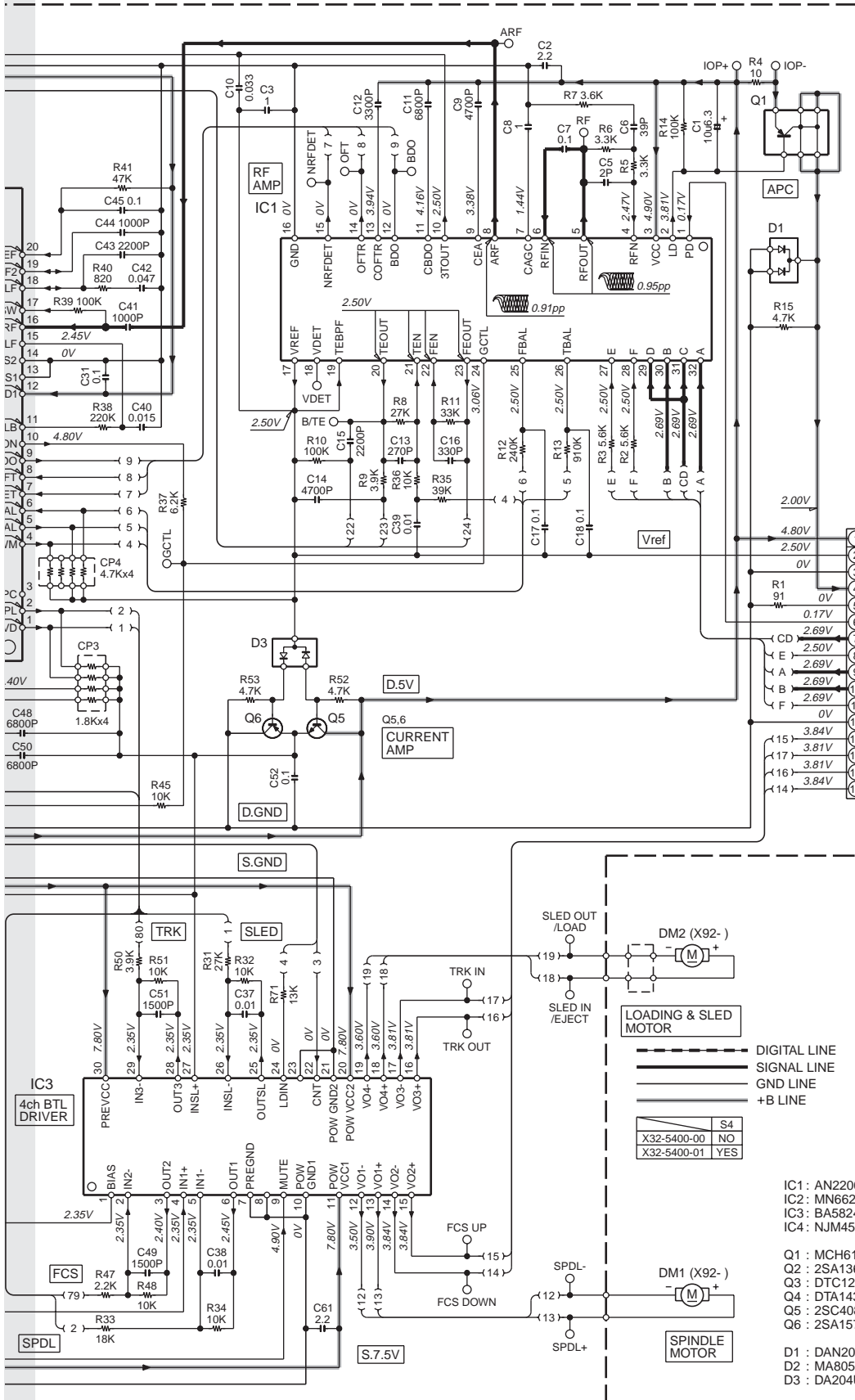
MODEL NAME	UNIT No.	(A)	C12	D1	D3	D7,8	D9,10	D11-19	D21-29	ED1	Q2,3	R12, R29, R31, R33	W2
KDC-W4527Y	2-70	YES	NO	B30-1633-05	NO	B30-1566-05	B30-1566-05	B30-1566-05	B30-1565-05	B38-1145-05	YES	YES	330
KDC-W4527GY	2-71	YES	NO	B30-1633-05	NO	B30-1566-05	B30-1566-05	B30-1566-05	B30-1565-05	B38-1144-05	YES	YES	330

KDC-225 (2/2)

KDC-225/225MR/2025

CD PLAYER UNIT (X32-5400-0x)





CAUTION : For continued safety, replace safety critical components only with manufacturer's recommended parts (refer to parts list). Δ Indicates safety critical components. To reduce the risk of electric shock, leakage-current or resistance measurements shall be carried out (exposed parts are acceptably insulated from the supply circuit) before the appliance is returned to the customer.

• DC voltages are as measured with a high impedance voltmeter. Values may vary slightly due to variations between individual instruments or/and units.

Legend for line types:

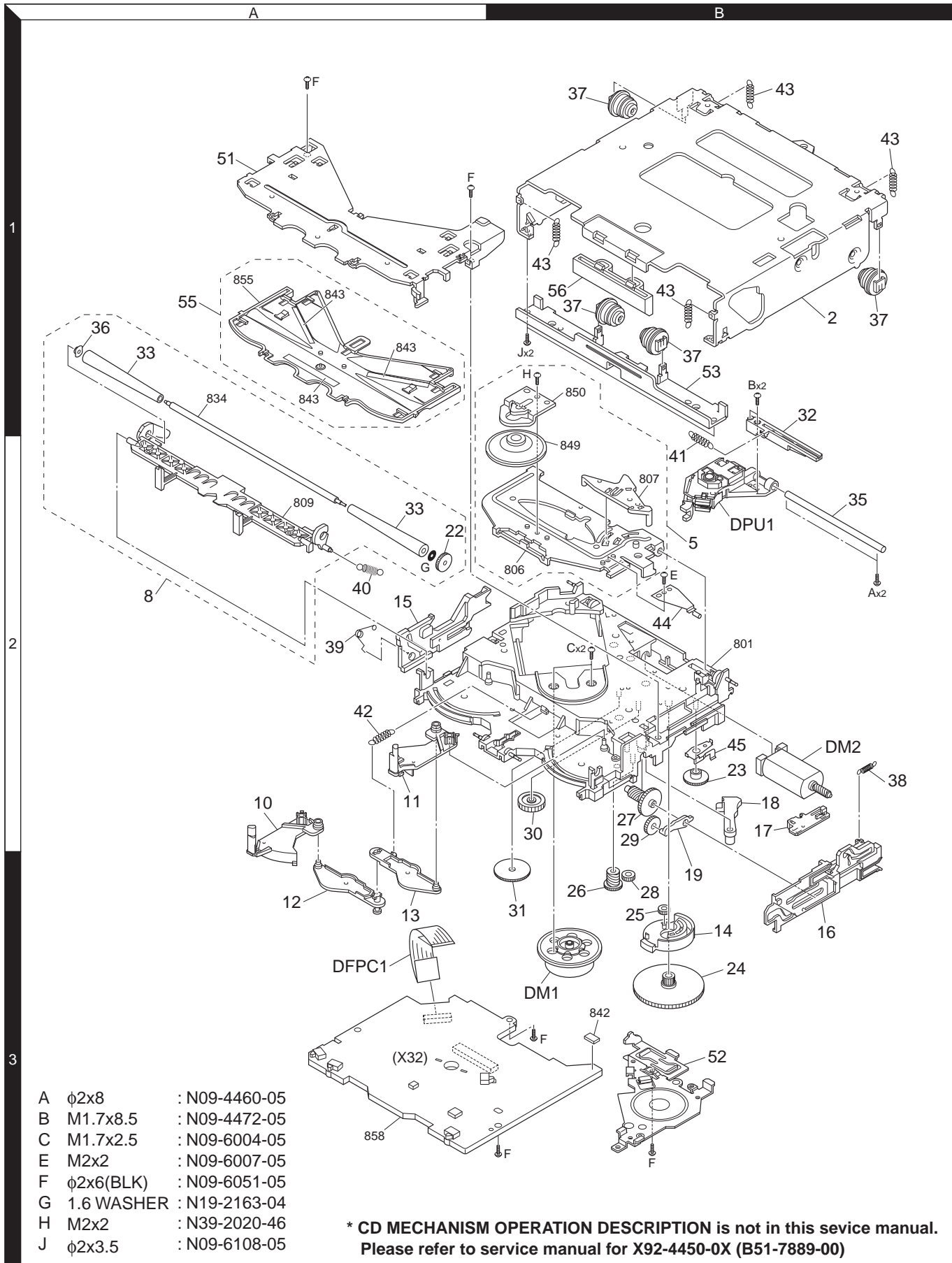
- Dashed line: DIGITAL LINE
- Solid line: SIGNAL LINE
- Thick solid line: GND LINE
- Thin solid line: +B LINE

S4	
X32-5400-00	NO
X32-5400-01	YES

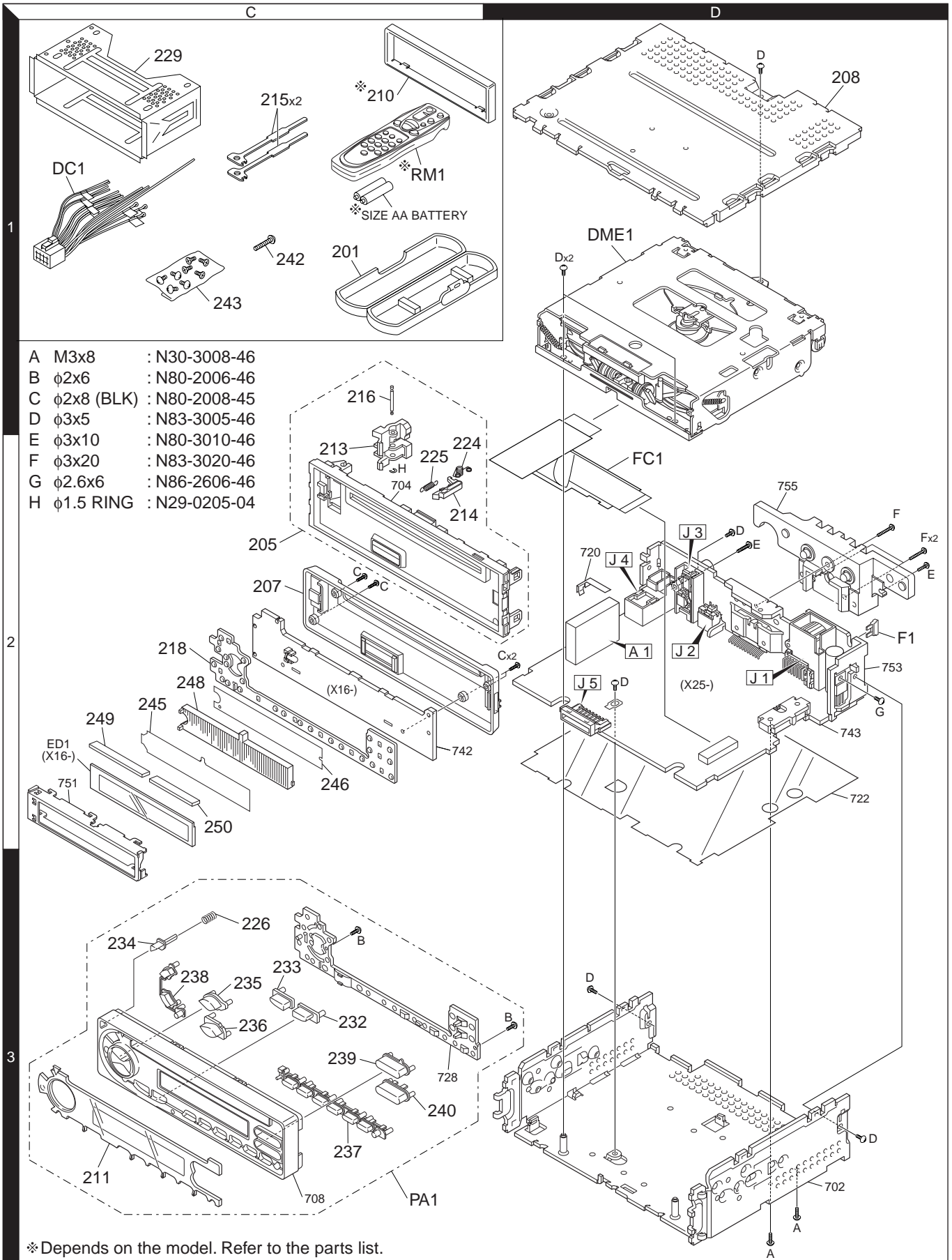
- IC1 : AN22002AA
- IC2 : MN6627771KP
- IC3 : BA5824FP
- IC4 : NJM4580M1
- Q1 : MCH6101
- Q2 : 2SA1362(Y)
- Q3 : DTC124EUA
- Q4 : DTA143XUA
- Q5 : 2SC4081
- Q6 : 2SA1576A
- D1 : DAN202U
- D2 : MA8051-L
- D3 : DA204U

KDC-225/225MR/2025

EXPLODED VIEW (CD MECHANISM)



EXPLODED VIEW (UNIT)



KDC-225/225MR/2025

PARTS LIST

* New parts

Parts without **Parts No.** are not supplied.

Les articles non mentionnés dans le **Parts No.** ne sont pas fournis.

Teile ohne **Parts No.** werden nicht geliefert.

Ref. No.	Added	New	Parts No.	Description	Destination
KDC-225/225MR/2025					
201	1C		A02-1486-13	PLASTIC CABINET ASSY	
205	2C		A22-2863-03	SUB PANEL ASSY	
207	2C		A46-1796-01	REAR COVER	
208	1D		A52-0804-02	TOP PLATE	
PA1	3C	*	A64-3171-02	PANEL ASSY	K1
PA1	3C	*	A64-3305-02	PANEL ASSY	K2
PA1	3C	*	A64-3361-02	PANEL ASSY	K3
RM1	1C		A70-2040-05	REMOTE CONTROLLER ASSY (RC-505)	K1K2
-			B46-0100-50	WARRANTY CARD	
-			B46-0606-04	ID CARD	
-			B46-0653-03	USER CARD	
-			B58-1365-04	CAUTION CARD	
-		*	B64-2681-00	INST. MANUAL (ENG,FRE,SPA)	
210	1C		B07-3097-02	ESCUTCHEON	K2
210	1C		B07-3098-02	ESCUTCHEON	K1K3
211	3C	*	B10-4465-01	FRONT GLASS	K1
211	3C	*	B10-4548-01	FRONT GLASS	K2
211	3C	*	B10-4559-01	FRONT GLASS	K3
213	1C		D10-4446-03	LEVER	
214	1C		D10-4447-03	LEVER	
215	1C		D10-4589-04	LEVER	
216	1C		D21-2329-04	SHAFT	
218	1C		E29-1964-02	CONDUCTIVE RUBBER	
DC1	1C		E30-6322-05	DC CORD	
DC1	1C		E30-6323-05	DC CORD	
FC1	2D	*	E39-0622-05	FLAT CABLE (24PIN)	
F1	2D		F52-0006-05	FUSE (MINI BLADE TYPE 10A)	
F1	2D		F52-0023-05	FUSE (MINI BLADE TYPE 10A)	
224	1C		G01-2987-04	TORSION COIL SPRING	
225	1C		G01-3096-04	EXTENSION SPRING	
226	3C		G01-3149-04	COMPRESSION SPRING	
-			H10-4856-12	POLYSTYRENE FOAMED FIXTURE	
-			H25-0329-04	PROTECTION BAG (280X450X0.03)	
-			H25-0337-04	PROTECTION BAG (180X300X0.03)	
-		*	H54-2994-03	ITEM CARTON CASE	K1
-		*	H54-2995-03	ITEM CARTON CASE	K2
-		*	H54-3142-03	ITEM CARTON CASE	K3
229	1C		J21-9716-03	MOUNTING HARDWARE ASSY	
232	3C		K24-4098-04	KNOB (SRC)	
233	3C		K24-4099-04	KNOB (Q-AUDIO)	
234	3C		K24-4101-04	KNOB (RELEASE)	
235	3C		K24-4096-04	KNOB (VOL. UP)	
236	3C		K24-4097-04	KNOB (VOL. DOWN)	
237	3C		K25-1589-03	KNOB (PRESET1-6)	
238	3C		K25-1590-03	KNOB (EJECT/ATT)	
239	3C		K25-1613-03	KNOB (FM/AM)	
240	3C		K25-1614-03	KNOB (SEEK)	
242	1C		N84-4016-46	PAN HEAD TAPTITE SCREW	
243	1C		N99-1719-05	SCREW SET	
A	2D		N30-3008-46	PAN HEAD MACHINE SCREW	

Ref. No.	Added	New	Parts No.	Description	Destination
B	2D		N80-2006-46	PAN HEAD TAPTITE SCREW	
C	2D		N80-2008-45	PAN HEAD TAPTITE SCREW	
D	2D		N83-3005-46	PAN HEAD TAPTITE SCREW	
H	2D		N29-0205-04	RETAINING RING	
DME1	1D		X92-4660-00	MECHANISM ASSY (DXM-6060W)	
SWITCH UNIT (X16-2640-11/12)					
245	2C		B11-1436-04	OPTICAL DIFFUSER	
246	2C	*	B11-1442-04	REFLECTION SHEET	
248	2C		B19-2242-03	LIGHTING BOARD	
D1			B30-1633-05	LED (WHITE)	K1
D1			B30-1641-05	LED	K2K3
D2			B30-1566-05	LED (1608,RED)	
D3,4			B30-1564-05	LED (1608,BLUE)	
D21-29			B30-1566-05	LED (1608,RED)	
ED1	2C		B38-1137-05	LIQUID CRYSTAL	K2K3
ED1	2C		B38-1145-05	LIQUID CRYSTAL	K1
C1			CK73GB1H102K	CHIP C 1000PF	K
C2			CK73GB1H103K	CHIP C 0.010UF	K
C3,4			CK73GB1E473K	CHIP C 0.047UF	K
C5			CK73FB1A225K	CHIP C 2.2UF	K
C11-13			CK73GB1H103K	CHIP C 0.010UF	K
249	2C		E29-1965-04	CONDUCTIVE RUBBER	K2K3
249	2C	*	E29-1993-04	CONDUCTIVE RUBBER	K1
250	2C		E29-1966-04	CONDUCTIVE RUBBER	K2K3
250	2C	*	E29-1994-04	CONDUCTIVE RUBBER	K1
J1			E59-0828-05	RECTANGULAR PLUG	
R1			RK73GB2A563J	CHIP R 56K	J 1/10W
R2			RK73GB2A4R7J	CHIP R 4.7	J 1/10W
R3			RK73GB2A472J	CHIP R 4.7K	J 1/10W
R4			RK73GB2A473J	CHIP R 47K	J 1/10W
R5			RK73GB2A102J	CHIP R 1.0K	J 1/10W
R6-8			RK73GB2A471J	CHIP R 470	J 1/10W
R9			RK73GB2A102J	CHIP R 1.0K	J 1/10W
R10			RK73GB2A470J	CHIP R 47	J 1/10W
R11			RK73GB2A102J	CHIP R 1.0K	J 1/10W
R21,22			RK73FB2B221J	CHIP R 220	J 1/8W
R23			RK73FB2B431J	CHIP R 430	J 1/8W
R24,25			RK73FB2B271J	CHIP R 270	J 1/8W
R31-33			RK73FB2B391J	CHIP R 390	J 1/8W
W1,2			R92-1252-05	CHIP R 0 OHM	J 1/16W
D31-35			UDZS5.6B	ZENER DIODE	
IC1			LC75883E-E	MOS-IC	
IC2			RS-171	ANALOGUE IC	
Q1			DTA114EE	DIGITAL TRANSISTOR	
ELECTRIC UNIT (X25-9980-11/12/21)					
C1			C90-5683-05	ELECTRO 3300UF	16WV
C3			CK73GB1H102K	CHIP C 1000PF	K
C4-6			CK73GB1H103K	CHIP C 0.010UF	K
C19			CK73GB1A474K	CHIP C 0.47UF	K
C20			C90-2962-05	ELECTRO 100UF	16WV
C21			CD04AS1C470M	ELECTRO 47UF	16WV
C22			CD04AS1E100M	ELECTRO 10UF	25WV
C24,25			CD04AS1C100M	ELECTRO 10UF	16WV
C26			CD04AS1E100M	ELECTRO 10UF	25WV

K1 : KDC-225

K2 : KDC-2025

K3 : KDC-225MR

△ Indicates safety critical components.

PARTS LIST

* New parts

Parts without **Parts No.** are not supplied.

Les articles non mentionnés dans le **Parts No.** ne sont pas fournis.

Teile ohne **Parts No.** werden nicht geliefert.

ELECTRIC UNIT (X25-9980-11/12/21)

Ref. No.	Add	New	Parts No.	Description	Desti- nation	Ref. No.	Add	New	Parts No.	Description	Desti- nation
C27			CD04AT1H100M	ELECTRO 10UF 50WV		R1			RK73FB2B683J	CHIP R 68K J 1/8W	
C28			CD04BF1C221M	ELECTRO 220UF 16WV		R2			RK73GB2A393J	CHIP R 39K J 1/10W	
C29			CD04AS1C100M	ELECTRO 10UF 16WV		R3			RK73GB2A104J	CHIP R 100K J 1/10W	
C30			CD04BF1C221M	ELECTRO 220UF 16WV		R4			RK73FB2B203J	CHIP R 20K J 1/8W	
C32			CK73GB1H103K	CHIP C 0.010UF K		R5,6			RK73GB2A103J	CHIP R 10K J 1/10W	
C104-106			CK73GB1H103K	CHIP C 0.010UF K		R7			RK73GB2A104J	CHIP R 100K J 1/10W	
C108			CK73GB1H103K	CHIP C 0.010UF K		R8			RD14DB2H332J	SMALL-RD 3.3K J 1/2W	
C111			CK73GB1H102K	CHIP C 1000PF K		R9			RD14BB2C333J	RD 33K J 1/6W	
C201,202			CD04AS1HR47M	ELECTRO 0.47UF 50WV		R10			RK73GB2A103J	CHIP R 10K J 1/10W	
C203			CK73GB1E223K	CHIP C 0.022UF K		R11			RK73GB2A223J	CHIP R 22K J 1/10W	
C203			CK73GB1H223K	CHIP C 0.022UF K		R12			RK73GB2A473J	CHIP R 47K J 1/10W	
C204			CK73GB1H103K	CHIP C 0.010UF K		R13			RK73GB2A562J	CHIP R 5.6K J 1/10W	
C205			CK73GB1A474K	CHIP C 0.47UF K		R21			RD14BB2C152J	RD 1.5K J 1/6W	
C206			CC73GCH1H151J	CHIP C 150PF J		R22			RD14BB2C472J	RD 4.7K J 1/6W	
C209			CD04AS1H2R2M	ELECTRO 2.2UF 50WV		R25-28			RK73GB2A102J	CHIP R 1.0K J 1/10W	
C210			CK73GB1H103K	CHIP C 0.010UF K		R32			RK73GB2A223J	CHIP R 22K J 1/10W	
C211			CD04AS1A470M	ELECTRO 47UF 10WV		R33			RK73GB2A473J	CHIP R 47K J 1/10W	
C212,213			CK73GB1C104K	CHIP C 0.10UF K		R51,52			RK73GB2A222J	CHIP R 2.2K J 1/10W	
C212,213			CK73GB1H104K	CHIP C 0.10UF K		R53-56			RK73GB2A102J	CHIP R 1.0K J 1/10W	
C251-254			CD04AX1HR22M	ELECTRO 0.22UF 50WV		R58			RK73GB2A222J	CHIP R 2.2K J 1/10W	
C251-254			C90-5684-05	ELECTRO 0.22UF 50WV		R59			RK73GB2A101J	CHIP R 100 J 1/10W	
C255			CD04AS1H010M	ELECTRO 1UF 50WV		R60			RK73GB2A222J	CHIP R 2.2K J 1/10W	
C256			CD04AS1A330M	ELECTRO 33UF 10WV		R61,62			RK73GB2A104J	CHIP R 100K J 1/10W	
C257			CD04AT1H010M	ELECTRO 1UF 50WV		R63			RD14BB2C222J	RD 2.2K J 1/6W	
C258			CD04AS1H010M	ELECTRO 1UF 50WV		R65			RK73EB2E472J	CHIP R 4.7K J 1/4W	
C301,302			CK73FB1C474K	CHIP C 0.47UF K		R66			RK73GB2A472J	CHIP R 4.7K J 1/10W	
C303			CD04AS1A470M	ELECTRO 47UF 10WV		R101			RK73GB2A102J	CHIP R 1.0K J 1/10W	
C351,352			CD04AS1C100M	ELECTRO 10UF 16WV		R102			RK73GB2A471J	CHIP R 470 J 1/10W	
C356			CK73FB1H104K	CHIP C 0.10UF K		R103			RK73GB2A472J	CHIP R 4.7K J 1/10W	
C406			CK73GB1A224K	CHIP C 0.22UF K		R104			RK73GB2A471J	CHIP R 470 J 1/10W	
C407,408			CC73GCH1H220J	CHIP C 22PF J		R105			RK73GB2A472J	CHIP R 4.7K J 1/10W	
C409			CD04AS0J470M	ELECTRO 47UF 6.3WV		R106			RK73GB2A222J	CHIP R 2.2K J 1/10W	
C410			CK73GB1H103K	CHIP C 0.010UF K		R152-154			RK73GB2A471J	CHIP R 470 J 1/10W	
CN2			E41-0168-05	FLAT CABLE CONNECTOR (24PIN)		R160			RK73GB2A222J	CHIP R 2.2K J 1/10W	
CN3			E41-0927-05	PIN ASSY	K3	R161			RK73GB2A225J	CHIP R 2.2M J 1/10W	
△ J1			E58-0863-15	RECTANGULAR RECEPTACLE	K1K2	R162			RK73GB2A104J	CHIP R 100K J 1/10W	
△ J1			E58-0991-05	RECTANGULAR RECEPTACLE	K3	R171			RD14BB2C102J	RD 1.0K J 1/6W	
J2			E56-0855-05	CYLINDRICAL RECEPTACLE		R172			RD14BB2C470J	RD 47 J 1/6W	
J3			E63-0898-05	PIN JACK		R173			RD14BB2C471J	RD 470 J 1/6W	
J4			E04-0326-05	RF COAXIAL CABLE RECEPTACLE		R174			RD14BB2C101J	RD 100 J 1/6W	
J5			E58-0879-05	RECTANGULAR RECEPTACLE	K1K2	R175			RD14BB2C471J	RD 470 J 1/6W	
J5			E58-0992-05	RECTANGULAR RECEPTACLE	K3	R176			RD14BB2C102J	RD 1.0K J 1/6W	
P1			E23-0745-05	TERMINAL		R180			RD14BB2C102J	RD 1.0K J 1/6W	
L1			L33-1988-05	CHOKE COIL ASSY		R181			RD14BB2C100J	RD 10 J 1/6W	
L2			L33-1983-05	CHOKE COIL		R182,183			RD14BB2C102J	RD 1.0K J 1/6W	
L3			L33-1977-05	CHOKE COIL		R201			RK73GB2A103J	CHIP R 10K J 1/10W	
L6-8			L40-4795-91	SMALL FIXED INDUCTOR (4.7UH,J)		R202-204			RK73GB2A472J	CHIP R 4.7K J 1/10W	
L10,11			L40-4795-91	SMALL FIXED INDUCTOR (4.7UH,J)		R205			RK73GB2A222J	CHIP R 2.2K J 1/10W	
X1			L78-0879-05	RESONATOR (10.0MHZ)		R207,208			RK73GB2A471J	CHIP R 470 J 1/10W	
X2			L77-2793-05	CRYSTAL RESONATOR (32.768KHZ)		R209,210			RK73GB2A472J	CHIP R 4.7K J 1/10W	
D	2D		N83-3005-46	PAN HEAD TAPTITE SCREW		R251			RK73GB2A333J	CHIP R 33K J 1/10W	
E	2D		N80-3010-46	PAN HEAD TAPTITE SCREW		R252			RK73GB2A473J	CHIP R 47K J 1/10W	
F	2D		N83-3020-46	PAN HEAD TAPTITE SCREW		R253			RK73GB2A432J	CHIP R 4.3K J 1/10W	
G	2D		N86-2606-46	BINDING HEAD TAPTITE SCREW		R254			RK73GB2A100J	CHIP R 10 J 1/10W	
						R255			RK73GB2A221J	CHIP R 220 J 1/10W	

K1 : KDC-225

K2 : KDC-2025

K3 : KDC-225MR

△ Indicates safety critical components.

PARTS LIST

* New parts

Parts without **Parts No.** are not supplied.

Les articles non mentionnés dans le **Parts No.** ne sont pas fournis.

Teile ohne **Parts No.** werden nicht geliefert.

ELECTRIC UNIT (X25-9980-11/12/21)

Ref. No.	A d d	N e w	Parts No.	Description	Desti- nation
R256			RK73GB2A223J	CHIP R 22K J 1/10W	
R257			RK73GB2A432J	CHIP R 4.3K J 1/10W	
R271			RK73GB2A101J	CHIP R 100 J 1/10W	
R272			RK73GB2A103J	CHIP R 10K J 1/10W	
R273			RK73GB2A474J	CHIP R 470K J 1/10W	
R301,302			RD14BB2C100J	RD 10 J 1/6W	
R303			RD14BB2C101J	RD 100 J 1/6W	
R304,305			RD14BB2C472J	RD 4.7K J 1/6W	
R306			RD14BB2C4R7J	RD 4.7 J 1/6W	
R307-309			RD14BB2C472J	RD 4.7K J 1/6W	
R310,311			RD14BB2C101J	RD 100 J 1/6W	
R312-315			RK73GB2A104J	CHIP R 100K J 1/10W	
R351,352			RK73GB2A271J	CHIP R 270 J 1/10W	
R355,356			RK73GB2A303J	CHIP R 30K J 1/10W	
R357,358			RD14BB2C101J	RD 100 J 1/6W	
R374			RD14BB2C102J	RD 1.0K J 1/6W	K3
R407			RK73GB2A241J	CHIP R 240 J 1/10W	
R410			RK73GB2A473J	CHIP R 47K J 1/10W	
R412			RK73GB2A223J	CHIP R 22K J 1/10W	
R415			RK73GB2A223J	CHIP R 22K J 1/10W	
R417			RK73GB2A223J	CHIP R 22K J 1/10W	
R419			RK73GB2A223J	CHIP R 22K J 1/10W	
R420			RK73GB2A103J	CHIP R 10K J 1/10W	
R421			RK73GB2A223J	CHIP R 22K J 1/10W	K3
R422			RK73GB2A223J	CHIP R 22K J 1/10W	K1K2
R425			RK73GB2A102J	CHIP R 1.0K J 1/10W	
R430,431			RK73GB2A473J	CHIP R 47K J 1/10W	
R432			RK73GB2A4R7J	CHIP R 4.7 J 1/10W	
W9-12			R92-2053-05	CHIP R 0 J 1/8W	
W13,14			R92-1252-05	CHIP R 0 OHM J 1/16W	
W15-20			R92-2053-05	CHIP R 0 J 1/8W	
W22			R92-1252-05	CHIP R 0 OHM J 1/16W	
W24			R92-1252-05	CHIP R 0 OHM J 1/16W	
W25			R92-2053-05	CHIP R 0 J 1/8W	
W27			R92-1252-05	CHIP R 0 OHM J 1/16W	
W28,29			R92-2053-05	CHIP R 0 J 1/8W	
W30			R92-1252-05	CHIP R 0 OHM J 1/16W	
W32,33			R92-2053-05	CHIP R 0 J 1/8W	
W35			R92-1252-05	CHIP R 0 OHM J 1/16W	
W37			R92-1252-05	CHIP R 0 OHM J 1/16W	
W38			R92-2053-05	CHIP R 0 J 1/8W	
W40,41			R92-2053-05	CHIP R 0 J 1/8W	
D1			S2V60*A	DIODE	
D2-4			MAZ4068N-M	ZENER DIODE	
D5			1SS133	DIODE	
D21			MAZ4082N-L	ZENER DIODE	
D22			D1F60-5063	DIODE	
D24			AM01ZNF	DIODE	
D26			DAN202U	DIODE	
D151			MAZ4062-L	ZENER DIODE	
D156			MAZ4120-L	ZENER DIODE	
D157-159			MAZ4062-L	ZENER DIODE	
D162			MAZ4062-L	ZENER DIODE	
D201,202			EDZ6.2B	ZENER DIODE	

Ref. No.	A d d	N e w	Parts No.	Description	Desti- nation
D203			DAN202U	DIODE	
D251			D1F60-5063	DIODE	
D252			AM01ZNF	DIODE	
D253			D1F60-5063	DIODE	
D254			AM01ZNF	DIODE	
D255-258			D1F60-5063	DIODE	
D269-271			1SS133	DIODE	
D301			MAZ4062-L	ZENER DIODE	
D307,308			MAZ4062-L	ZENER DIODE	
D309,310			MAZ4068N-M	ZENER DIODE	
D311			MAZ4062-L	ZENER DIODE	
D401			DAN202U	DIODE	
D402			B30-1567-05	LED (1608,RED)	
IC1			784225GC233A	MICROCONTROLLER IC	
IC2			E-TDA7407D	ANALOGUE IC	
IC3			BA4911-V4	ANALOGUE IC	
IC4			E-TDA7560	ANALOGUE IC	
IC6			SN74HC02NSR	MOS-IC	
IC8			PST3436UL-E	MOS-IC	
Q1-3			2SC4081	TRANSISTOR	
Q4			2SA1036K	TRANSISTOR	
Q21			2SB1565(E,F)	TRANSISTOR	
Q22			UMC2N	TRANSISTOR	
Q24			2SD1858	TRANSISTOR	
Q151			DTA114YUA	DIGITAL TRANSISTOR	
Q201			DTC143TUA	DIGITAL TRANSISTOR	
Q252			2SA1576A	TRANSISTOR	
Q350			DTA124EUA	DIGITAL TRANSISTOR	
Q351,352			DTC143TUA	DIGITAL TRANSISTOR	
Q401			2SC4081	TRANSISTOR	
TH1			PRF21BE471QB2	POSITIVE RESISTOR	
A1			X86-3760-11	FRONT-END UNIT	
CD PLAYER UNIT (X32-5400-00)					
C1			C92-0566-05	CHIP-TAN 10UF 6.3WV	
C2			CK73FB1A225K	CHIP C 2.2UF K	
C3			CK73GB0J105K	CHIP C 1.0UF K	
C5			CC73GCH1H020C	CHIP C 2.0PF C	
C6			CC73GCH1H390J	CHIP C 39PF J	
C7			CK73GB1C104K	CHIP C 0.10UF K	
C8			CK73GB0J105K	CHIP C 1.0UF K	
C9			CK73GB1H472K	CHIP C 4700PF K	
C10			CK73GB1C333K	CHIP C 0.033UF K	
C11			CK73GB1H682K	CHIP C 6800PF K	
C12			CK73GB1H332K	CHIP C 3300PF K	
C13			CC73GCH1H271J	CHIP C 270PF J	
C14			CK73GB1H472K	CHIP C 4700PF K	
C15			CK73GB1H222K	CHIP C 2200PF K	
C16			CC73GCH1H331J	CHIP C 330PF J	
C17,18			CK73GB1C104K	CHIP C 0.10UF K	
C31-34			CK73GB1C104K	CHIP C 0.10UF K	
C36			CK73FB1A225K	CHIP C 2.2UF K	
C37-39			CK73GB1H103K	CHIP C 0.010UF K	
C40			CK73GB1H153K	CHIP C 0.015UF K	

K1 : KDC-225

K2 : KDC-2025

K3 : KDC-225MR

△ Indicates safety critical components.

PARTS LIST

* New parts

Parts without **Parts No.** are not supplied.

Les articles non mentionnés dans le **Parts No.** ne sont pas fournis.

Teile ohne **Parts No.** werden nicht geliefert.

CD PLAYER UNIT (X32-5400-00)

Ref. No.	Add	New	Parts No.	Description	Destination
C41			CK73GB1H102K	CHIP C 1000PF K	
C42			CK73GB1E473K	CHIP C 0.047UF K	
C43			CK73GB1H222K	CHIP C 2200PF K	
C44			CK73GB1H102K	CHIP C 1000PF K	
C45-47			CK73GB1C104K	CHIP C 0.10UF K	
C48			CK73GB1H682K	CHIP C 6800PF K	
C49			CK73GB1H152K	CHIP C 1500PF K	
C50			CK73GB1H472K	CHIP C 4700PF K	
C51			CK73GB1H681K	CHIP C 680PF K	
C52			CK73GB1C104K	CHIP C 0.10UF K	
C61			CK73FB1A225K	CHIP C 2.2UF K	
C62			CK73GB1C104K	CHIP C 0.10UF K	
C71,72			CK73GB1H471K	CHIP C 470PF K	
C73,74			CC73GCH1H680J	CHIP C 68PF J	
C75,76			CK73GB1H222K	CHIP C 2200PF K	
C77,78			CK73GB1C104K	CHIP C 0.10UF K	
C100-102			CK73GB1H102K	CHIP C 1000PF K	
CN1			E40-9536-05	FLAT CABLE CONNECTOR (24PIN)	
CN1			E41-0193-05	FLAT CABLE CONNECTOR (24PIN)	
CN2			E40-9527-05	FLAT CABLE CONNECTOR (16PIN)	
CN2			E41-0213-05	FLAT CABLE CONNECTOR (16PIN)	
X1			L78-0851-05	RESONATOR (16.934MHZ)	
CP1			R90-1019-05	MULTI-COMP 100 X2	
CP2			R90-1014-05	MULTI-COMP 100 X4	
CP3			R90-0974-05	MULT R 1.8K X4	
CP4			R90-0718-05	MULTI-COMP 4.7K X4	
CP5			R90-0720-05	MULTI-COMP 100K X4	
R1			RK73GB2A910J	CHIP R 91 J 1/10W	
R2,3			RK73GB2A562J	CHIP R 5.6K J 1/10W	
R4			RK73FB2B100J	CHIP R 10 J 1/8W	
R5,6			RK73GB2A332J	CHIP R 3.3K J 1/10W	
R7			RK73GB2A362J	CHIP R 3.6K J 1/10W	
R8			RK73GB2A273J	CHIP R 27K J 1/10W	
R9			RK73GB2A392J	CHIP R 3.9K J 1/10W	
R10			RK73GB2A104J	CHIP R 100K J 1/10W	
R11			RK73GB2A333J	CHIP R 33K J 1/10W	
R12			RK73GB2A244J	CHIP R 240K J 1/10W	
R13			RK73GB2A914J	CHIP R 910K J 1/10W	
R14			RK73GB2A104J	CHIP R 100K J 1/10W	
R15			RK73GB2A472J	CHIP R 4.7K J 1/10W	
R31			RK73GB2A273J	CHIP R 27K J 1/10W	
R32			RK73GB2A103J	CHIP R 10K J 1/10W	
R33			RK73GB2A183J	CHIP R 18K J 1/10W	
R34			RK73GB2A103J	CHIP R 10K J 1/10W	
R35			RK73GB2A393J	CHIP R 39K J 1/10W	
R36			RK73GB2A103J	CHIP R 10K J 1/10W	
R37			RK73GB2A622J	CHIP R 6.2K J 1/10W	
R38			RK73GB2A224J	CHIP R 220K J 1/10W	
R39			RK73GB2A104J	CHIP R 100K J 1/10W	
R40			RK73GB2A821J	CHIP R 820 J 1/10W	
R41			RK73GB2A473J	CHIP R 47K J 1/10W	
R42			RK73GB2A472J	CHIP R 4.7K J 1/10W	
R43			RK73GB2A102J	CHIP R 1.0K J 1/10W	

Ref. No.	Add	New	Parts No.	Description	Destination
R44,45			RK73GB2A103J	CHIP R 10K J 1/10W	
R46			RK73GB2A273J	CHIP R 27K J 1/10W	
R47			RK73GB2A222J	CHIP R 2.2K J 1/10W	
R48			RK73GB2A103J	CHIP R 10K J 1/10W	
R49			RK73GB2A473J	CHIP R 47K J 1/10W	
R50			RK73GB2A392J	CHIP R 3.9K J 1/10W	
R51			RK73GB2A103J	CHIP R 10K J 1/10W	
R52,53			RK73GB2A472J	CHIP R 4.7K J 1/10W	
R71			RK73GB2A133J	CHIP R 13K J 1/10W	
R72			RK73FB2B201J	CHIP R 200 J 1/8W	
R81-86			RK73FB2B203J	CHIP R 20K J 1/8W	
R87,88			RK73FB2B331J	CHIP R 330 J 1/8W	
R89,90			RK73GB2A332J	CHIP R 3.3K J 1/10W	
R91,92			RK73GB2A562J	CHIP R 5.6K J 1/10W	
R100			RK73GB2A100J	CHIP R 10 J 1/10W	
S1,2			S68-0863-05	PUSH SWITCH	
S3			S68-0862-05	PUSH SWITCH	
D1			DAN202U	DIODE	
D1			MA142WK	DIODE	
D2			MA8051-L	ZENER DIODE	
D3			DA204U	DIODE	
IC1			AN22002AA	ANALOGUE IC	
IC2			MN6627771KP	MOS-IC	
IC3			BA5824FP	ANALOGUE IC	
IC4			NJM4580M1	ANALOGUE IC	
Q1			MCH6101	TRANSISTOR	
Q2			2SA1362(Y)	TRANSISTOR	
Q3			DTC124EUA	DIGITAL TRANSISTOR	
Q3			UN5212	DIGITAL TRANSISTOR	
Q4			DTA143XUA	DIGITAL TRANSISTOR	
Q5			2SC4081	TRANSISTOR	
Q6			2SA1576A	TRANSISTOR	
MECHANISM ASSY (X92-4660-00)					
2		1B	A10-4827-22	CHASSIS	
5		1B	* D10-4576-63	ARM ASS'Y	
8		2A	D10-4579-13	LEVER ASS'Y	
10		3A	D10-4581-13	ARM	
11		2A	D10-4582-13	ARM	
12		3A	D10-4583-03	ARM	
13		3A	D10-4584-03	ARM	
14		3B	D10-4585-03	ARM	
15		2A	D10-4586-13	SLIDER	
16		3B	D10-4587-32	SLIDER	
17		3B	D10-4588-13	SLIDER	
18		3B	D10-4595-04	ARM	
19		3B	D10-4596-14	ARM	
22		2A	D13-2151-04	GEAR	
23		2B	D13-2152-04	GEAR	
24		3B	D13-2153-04	GEAR	
25		3B	D13-2154-04	GEAR	
26		3B	D13-2155-04	WORM	
27		3B	D13-2156-14	GEAR	
28		3B	D13-2157-04	GEAR	
29		3B	D13-2158-04	GEAR	

K1 : KDC-225

K2 : KDC-2025

K3 : KDC-225MR

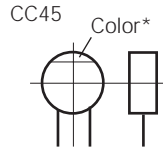
△ Indicates safety critical components.

PARTS LIST

CAPACITORS

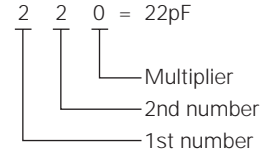
CC 45 TH 1H 220 J
 1 2 3 4 5 6

- 1 = Type ... ceramic, electrolytic, etc.
- 2 = Shape ... round, square, etc.
- 3 = Temp. coefficient
- 4 = Voltage rating
- 5 = Value
- 6 = Tolerance



• Capacitor value

- 010 = 1pF
- 100 = 10pF
- 101 = 100pF
- 102 = 1000pF = 0.001μF
- 103 = 0.01μF



• Temperature coefficient

1st Word	C	L	P	R	S	T	U
Color*	Black	Red	Orange	Yellow	Green	Blue	Violet
ppm/°C	0	-80	-150	-220	-330	-470	-750

2nd Word	G	H	J	K	L
ppm/°C	±30	±60	±120	±250	±500

Example : CC45TH = -470±60ppm/°C

• Tolerance (More than 10pF)

Code	C	D	G	J	K	M	X	Z	P	No code
(%)	±0.25	±0.5	±2	±5	±10	±20	+40 -20	+80 -20	+100 -0	More than 10μF : -10~+50 Less than 4.7μF : -10~+75

(Less than 10pF)

Code	B	C	D	F	G
(pF)	±0.1	±0.25	±0.5	±1	±2

• Voltage rating

2nd word \ 1st word	A	B	C	D	E	F	G	H	J	K	V
0	1.0	1.25	1.6	2.0	2.5	3.15	4.0	5.0	6.3	8.0	-
1	10	12.5	16	20	25	31.5	40	50	63	80	35
2	100	125	160	200	250	315	400	500	630	800	-
3	1000	1250	1600	2000	2500	2150	4000	5000	6300	8000	-

CHIP CAPACITORS

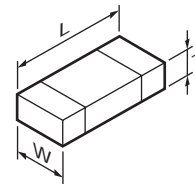
(EX) CC 73 F SL 1H 000 J
 1 2 3 4 5 6 7
 (Chip) (CH, RH, UJ, SL)

(EX) CK 73 F F 1H 000 Z
 1 2 3 4 5 6 7
 (Chip) (B, F)

Refer to the table above.

- 1 = Type
- 2 = Shape
- 3 = Dimension
- 4 = Temp. coefficient
- 5 = Voltage rating
- 6 = Value
- 7 = Tolerance

• Dimension



Chip capacitor

Code	L	W	T
Empty	5.6±0.5	5.0±0.5	Less than 2.0
A	4.5±0.5	3.2±0.4	Less than 2.0
B	4.5±0.5	2.0±0.3	Less than 2.0
C	4.5±0.5	1.25±0.2	Less than 1.25
D	3.2±0.4	2.5±0.3	Less than 1.5
E	3.2±0.2	1.6±0.2	Less than 1.25
F	2.0±0.3	1.25±0.2	Less than 1.25
G	1.6±0.2	0.8±0.2	Less than 1.0
H	1.0±0.05	0.5±0.05	0.5±0.05

Chip resistor

Code	L	W	T
E	3.2±0.2	1.6±0.2	1.0
F	2.0±0.3	1.25±0.2	1.0
G	1.6±0.2	0.8±0.2	0.5±0.1
H	1.0±0.05	0.5±0.05	0.35±0.05

RESISTORS

• Chip resistor (Carbon)

(EX) RD 73 E B 2B 000 J
 1 2 3 4 5 6 7
 (Chip) (B, F)

• Carbon resistor (Normal type)

(EX) RD 14 B B 2C 000 J
 1 2 3 4 5 6 7
 (Chip) (B, F)

- 1 = Type ... ceramic, electrolytic, etc.
- 2 = Shape ... round, square, etc.
- 3 = Dimension
- 4 = Temp. coefficient
- 5 = Voltage rating
- 6 = Value
- 7 = Tolerance

• Rating wattage

Code	Wattage	Code	Wattage	Code	Wattage
1J	1/16W	2C	1/6W	3A	1W
2A	1/10W	2E	1/4W	3D	2W
2B	1/8W	2H	1/2W		

KDC-225/225MR/2025

SPECIFICATIONS

FM

Frequency Range (Frequency step)
..... 87.9MHz~107.9MHz (200kHz)
Channel Space Selection 50k/200kHz
Usable Sensitivity (S/N 30dB) 9.3dBf (0.8 μ V/75 Ω)
Quieting Sensitivity (S/N 50dB) 15.2dBf (1.6 μ V/75 Ω)
Frequency Response (\pm 3.0dB) 30Hz~15kHz
S/N 70dB (MONO)
Selectivity (DIN) \geq 80dB (\pm 400kHz)
Stereo Separation 40dB (1kHz)

AM

Frequency Range (Frequency step) 530kHz~1700kHz
(10kHz)
Channel Space Selection 9k/10kHz
Usable Sensitivity (S/N 20dB) 28dB μ (25 μ V)

CD

Laser Diode GaAlAs
Digital Filter (D/A) 8 Times OverSampling
D/A Converter 1 Bit
Spindle Speed (rpm) 500~200 (CLV)
Wow & Flutter Below Mesurable Limit
Frequency Response 10Hz~20kHz (\pm 1dB)
Total Harmonic Distortion 0.01% (1kHz)
S/N Ratio 93dB (1kHz)
Dynamic Range 93dB
Channel Separation 85dB

Preout Level/Load-Unbalanced

..... 2000mV/10k Ω (CD/CD-CH)

Preout Impedance \leq 600 Ω

AMP

Maximum Power 50W x 4

Full Bandwidth Power (at less than 1% THD) 22W x 4

TONE

Bass 100Hz \pm 10dB

Middle 1kHz \pm 10dB

Treble 10kHz \pm 10dB

GENERAL

Operating voltage (11~16V allowable) 14.4V

Current Consumption 10A

Installation Size (W x H x D) 182 x 53 x 155 mm

7-3/16 x 2-1/16 x 6-1/10 in

Weight 1.40kg (3.1lbs)

KENWOOD follows a policy of continuous advancements in development. For this reason specifications may be changed without notice.

KENWOOD CORPORATION

2967-3, Ishikawa-machi, Hachioji-shi, Tokyo, 192-8525 Japan

KENWOOD USA CORPORATION
P.O. Box 22745, 2201 East Dominguez Street, Long Beach, CA 90801-5745, U.S.A.

KENWOOD ELECTRONICS CANADA INC.
6070 Kestrel Road, Mississauga, Ontario, Canada L5T 1S8

KENWOOD ELECTRONICS LATIN AMERICA S.A.
P.O. Box 55-2791 Paitilla, Plaza Credicorp Bank Panama,
Piso 9, Oficina 901, Calle 50, Panama, Rep. de Panama

KENWOOD ELECTRONICS BRASIL LTDA.
Alameda Ministro Rocha Azevedo No. 456,
Edifício Jaú, 10o Andar, Cerqueira César, Cep 0140-001,
São Paulo-SP-Brasil

KENWOOD ELECTRONICS UK LIMITED
Kenwood House, Dwight Road, Watford, Herts, WD18 9EB, United Kingdom

KENWOOD ELECTRONICS DEUTSCHLAND GMBH
Rembrücker-Str. 15, 63150 Heusenstamm, Germany

KENWOOD ELECTRONICS FRANCE S.A.
13, Boulevard Ney, 75018 Paris, France

KENWOOD ELECTRONICS BELGIUM N.V.
Leuvensesteenweg 248 J, 1800 Vilvoorde, Belgium

KENWOOD ELECTRONICS ITALIA S.p.A.
Via G. Sirtori 7/9, 20129 Milano, Italy

KENWOOD IBÉRICA S.A.
Bolivia, 239-08020 Barcelona, Spain

KENWOOD ELECTRONICS AUSTRALIA PTY. LTD. (A.C.N. 001 499 074)
16 Giffnock Avenue, Centrecourt Estate, North Ryde,
N.S.W. 2113, Australia

KENWOOD ELECTRONICS (HONG KONG) LTD.
Unit 3712-3724, Level 37, Tower 1, Metroplaza, 223 Hing Fong Road, Kwai Fong, N.T.,
Hong Kong

KENWOOD ELECTRONICS GULF FZE
P.O. Box 61318, Jebel Ali, Dubai, U.A.E.

KENWOOD ELECTRONICS (THAILAND) CO., LTD.
2019 New Pechburi Road, Bangkok, Huaykwang, Bangkok, 10320 Thailand

KENWOOD ELECTRONICS SINGAPORE PTE. LTD.
1 Genting Lane, #07-00, Kenwood Building, Singapore, 349544

KENWOOD ELECTRONICS (MALAYSIA) SDN BHD
#4.01 Level 4, Wisma Academy Lot 4A, Jalan 19/1, 46300 Petaling Jaya, Selangor Darul Ehsan,
Malaysia